

[See all 14 Products in Family](#)

Z-Axis Plate for 1.75" Stage (Side Drive-Low Profile)



Stock #54-374 [CONTACT US](#)

- 1 + MRP ₹35,110

i Price inclusive of all taxes

ADD TO CART

Volume Pricing

Qty 1+	₹35,110 each
Need More?	Request Quote

Product Downloads

General

Note:
Low Profile
Compatible Stage Size (inches):
1.75

Stage Type:
Side Drive

Physical & Mechanical Properties

Length (inches):
2.0

1.75	Width (inches):
2.12	Thickness (inches):
None	Bracket Thru-Hole:

Regulatory Compliance

Compliant	RoHS 2015:
View	Certificate of Conformance:
United States	Country of Origin:
Imported By: Edmund Optics India Private Limited 267, Greystone Building, Second Floor, 6th Cross Rd, Binnamangala, Stage 1, Indiranagar, Bengaluru, Karnataka, India 560038 Phone: +91- 80-6845 0000	

Product Details

For use with 1" or 25mm travel stages: [#37-935](#), [#37-936](#), [#37-955](#), and [#37-956](#).

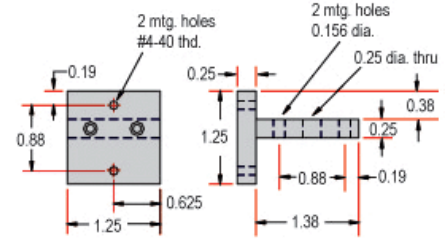
- Combine Ball Bearing Stages into 3 Axis Positioning Systems
- Designs for 1.25, 1.75, 2.62, and 5" Stages
- Aluminum Construction with Black Anodized Finish

We now offer a complete line of Z-axis brackets to combine ball bearing stages into three axis positioning systems. These brackets are currently included with all X-Y-Z low and standard profile stage configurations. By purchasing single-axis stages separately, the brackets can be used to configure your own X-Y-Z combination, using different drive options, travel options, and even standard or thru-hole mounting stage options. All brackets are designed for the same stage size and drive type (center or side). All Z-axis brackets include socket head cap screws (S.H.C.S.) to connect two ball bearing stages together; 4 screws for each bracket ([#54-380](#) includes 6 screws; 2-Z, 4-Y). Brackets are designed for Z-axis mounting with tapped mounting holes to accept screws through the counterbored holes in stage bases. Y-axis mounting on the brackets is with clearance or counterbored holes for S.H.C.S. to connect directly to stage carriage mounting surfaces. Aluminum construction with black anodized finish. X-Y and X-Z configurations are possible. However, due to side locking screws and mounting stage configurations, not all options will work. All standard profile brackets have thru-hole clearance.

Note: [#54-374](#) Z-Axis Plate for 1.75" Stages is for use with 1" or 25mm travel stages: [#37-935](#), [#37-936](#), [#37-955](#), and [#37-956](#).

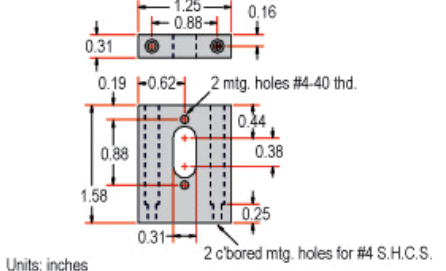
Technical Information

1.25" Z-Axis Adapter Plate (#54-367)



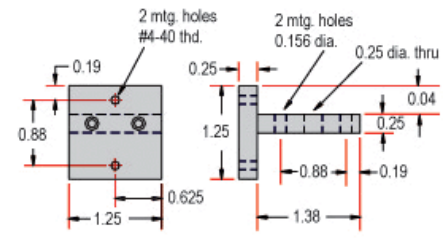
Units: inches

1.25" Z-Axis Adapter Plate (#54-368)



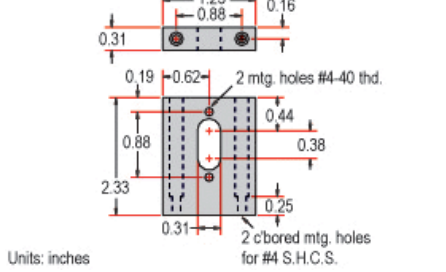
Units: inches

1.25" Z-Axis Adapter Plate (#54-369)



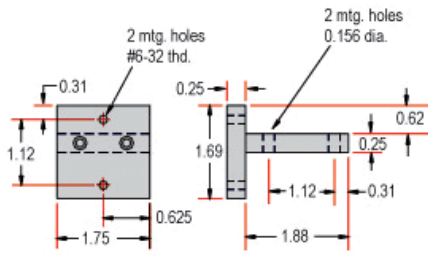
Units: inches

1.25" Z-Axis Adapter Plate (#54-370)



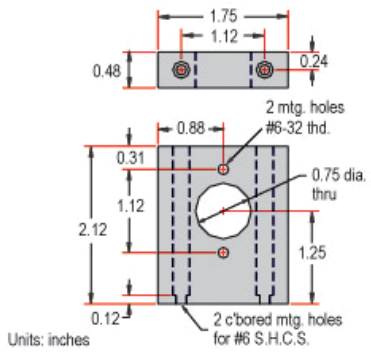
Units: inches

1.75" Z-Axis Adapter Plate (#54-371)



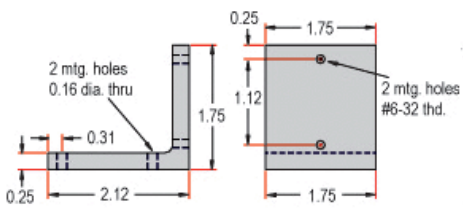
Units: inches

1.75" Z-Axis Adapter Plate (#54-372)



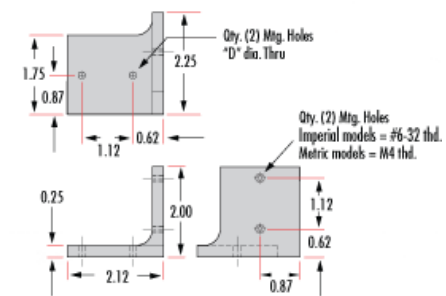
Units: inches

1.75" Z-Axis Adapter Plate (#54-373)



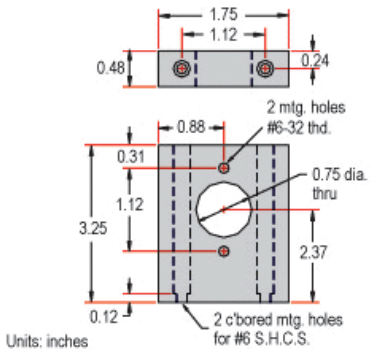
Units: inches

1.75" Z-Axis Adapter Plate (#54-374)



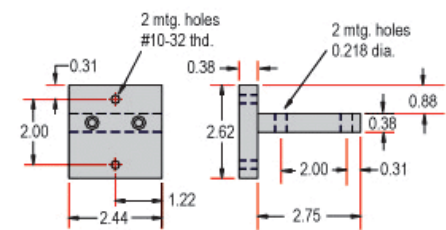
Units: inches

1.75" Z-Axis Adapter Plate (#54-375)



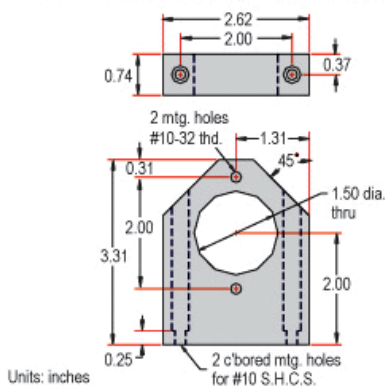
Units: inches

2.62" Z-Axis Adapter Plate (#54-376)



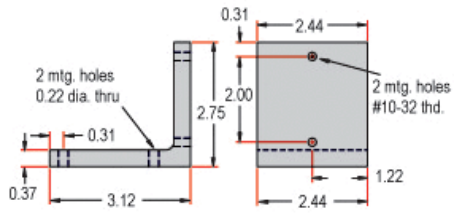
Units: inches

2.62" Z-Axis Adapter Plate (#54-377)



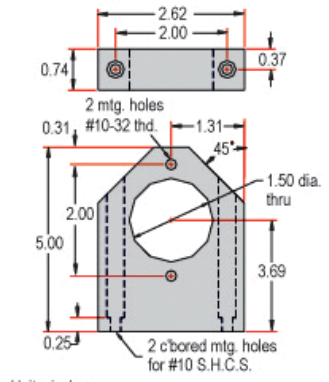
Units: inches

2.62" Z-Axis Adapter Plate (#54-378)



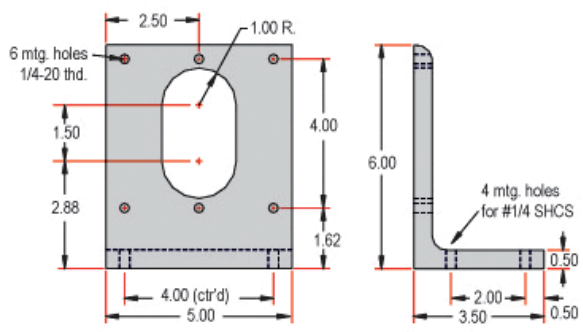
Units: inches

2.62" Z-Axis Adapter Plate (#54-379)



Units: inches

5.00" Z-Axis Adapter Plate (#54-380)



Units: inches