

[See all 22 Products in Family](#)

## Unmounted Widefield 120i Tube Lens Lens



Unmounted Widefield 120i Tube Lens Lens



Stock #74-697 **NEW** 1 In Stock

1  MRP ₹31,329

**i** Price inclusive of all taxes

**ADD TO CART**

| Volume Pricing |                               |
|----------------|-------------------------------|
| Qty 1+         | ₹31,329 each                  |
| Need More?     | <a href="#">Request Quote</a> |

### Product Downloads

### General

**Note:**  
Optimal for 100mm Infinity Corrected Space

### Physical & Mechanical Properties

31.50  
**Maximum Diameter (mm):**

### Optical Properties

120.00 Focal Length FL (mm):

1X Magnification:

## Regulatory Compliance

[View](#) Certificate of Conformance:

China Country of Origin:

Imported By:  
Edmund Optics India Private Limited  
267, Greystone Building, Second Floor,  
6th Cross Rd, Binnamangala,  
Stage 1, Indiranagar, Bengaluru,  
Karnataka, India 560038  
Phone: +91- 80-6845 0000

## Product Details

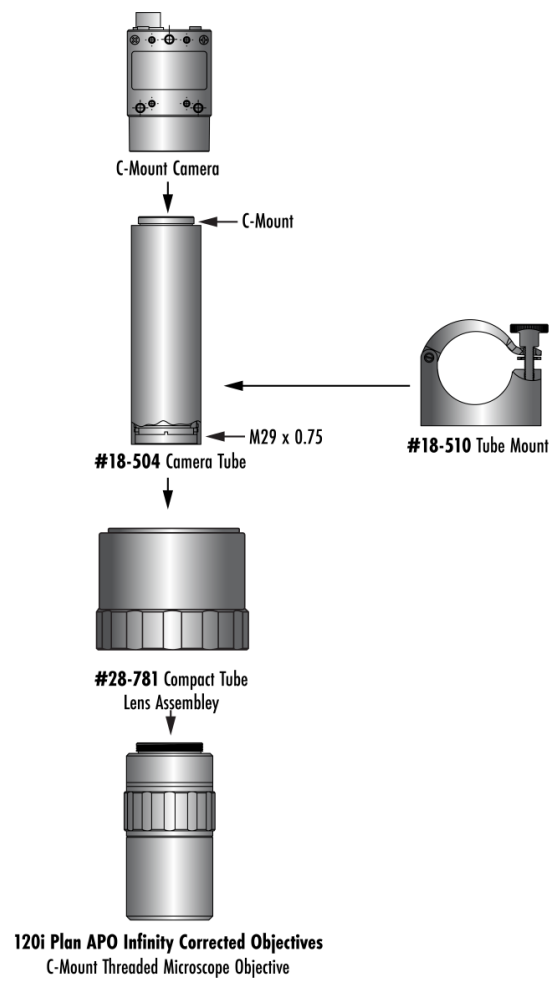
- Up to 43% Smaller than Industry Standard Systems
- Optimized Performance up to 1.1" Sensor
- Ideal for Life Science and Industrial Applications
- Winner of the [2023 Bronze VSD Innovators Award](#)

Edmund Optics® 120i Plan APO Infinity Corrected Objectives are infinite conjugate microscope objectives that offer exceptional image flatness and chromatic correction over 400-700nm. These objectives were designed for a 1.1" sensor to offer a large field of view and reliable image quality for high-throughput imaging applications. Ideal for life science and machine vision applications such as microscopy, flow cytometry, pharmaceutical inspection, and assembly line or fault inspection.

These objectives won the [2023 Bronze VSD Innovators Award](#).

## Technical Information

### Compact Tube Lens System



# Standard Tube Lens System

