

## Tilt Stage Metric in Two Axes



Stock #55-459 **9 In Stock**

MRP ₹38,540

**i** Price inclusive of all taxes

**ADD TO CART**

Volume Pricing	
Qty 1-9	₹38,540 each
Qty 10+	₹34,021 each
Need More?	<a href="#">Request Quote</a>

### Product Downloads

### General

Metric Type:

### Physical & Mechanical Properties

Tip-Tilt Type of Movement:

60 x 60 Stage Size (mm):

Travel (°):

±2.5

M16 x 1 **Center Hole:**

Aluminium Stage **Construction:**

0.25 **Leadscrew Pitch (mm):**

3 **Load Capacity (kg):**

0.22 **Weight (kg):**

## Hardware & Interface Connectivity

Fine Screw (100 Pitch) **Type of Drive:**

## Threading & Mounting

(1) M16 x 1, (2) M6 x 1, (4) M4 x 0.7 **Mounting Threads:**

## Regulatory Compliance

[Exempt](#) **RoHS 2015:**

[View](#) **Certificate of Conformance:**

[Contains SVHC\(s\)](#) **Reach 247:**

Japan **Country of Origin:**

**Imported By:**  
Edmund Optics India Private Limited  
267, Greystone Building, Second Floor,  
6th Cross Rd, Binnamangala,  
Stage 1, Indiranagar, Bengaluru,  
Karnataka, India 560038  
Phone: +91- 80-6845 0000

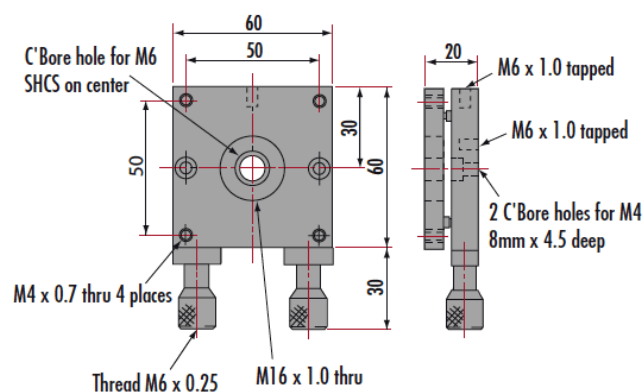
## Product Details

- Tilt Control in Two Axes (±2.5°)
- Multiple Tapped and C'bored Holes for Easy Mounting
- Black Anodized Aluminum

Ideal for tilt control of both optics and mounting posts. Platform top plate has 4 M4 tapped holes at each corner (on 50mm centers) and one M16 tapped hole on center. Platform bottom plate has 2 counterbore holes for M4 SHCS, one M6 SHCS (on center) counterbore hole for mounting to our [Metric Breadboards and Base Plates](#), and one M6 tapped hole for mounting to our [Metric Stainless Steel Mounting Posts](#). Platform also features one M6 tapped hole for mounting vertically. Stage includes two M4 stainless steel socket head cap screws.

Compatible with the following stages: [#54-687](#), [#55-032](#), [#55-459](#), [#55-527](#), [#55-840](#), [#55-841](#), [#56-335](#), and [#56-336](#).

## Technical Information



Units: mm