

Thread-to-Thread Model, Laser Bezel Plate



Thread-to-Thread Model, Laser Bezel Plate, #61-261

Stock **#61-261** [CONTACT US](#)

⊖ 1 ⊕ ₹13,230

ADD TO CART

Volume Pricing

Qty 1+	₹13,230 each
Need More?	Request Quote

Product Downloads



General

Note:
Fits JDS Uniphase Novette™ Series, Rectangular Models

Compatible Laser Stock Number:
[#34-891](#), [#61-315](#), [#61-337](#), [#61-338](#), [#61-382](#), [#61-360](#), [#61-373](#), [#61-374](#)

Regulatory Compliance

[Compliant](#)

RoHS 2015:

Compliant

Reach 224:

View

Certificate of Conformance:

United States

Country of Origin:

Edmund Optics India Private Limited

Imported By:

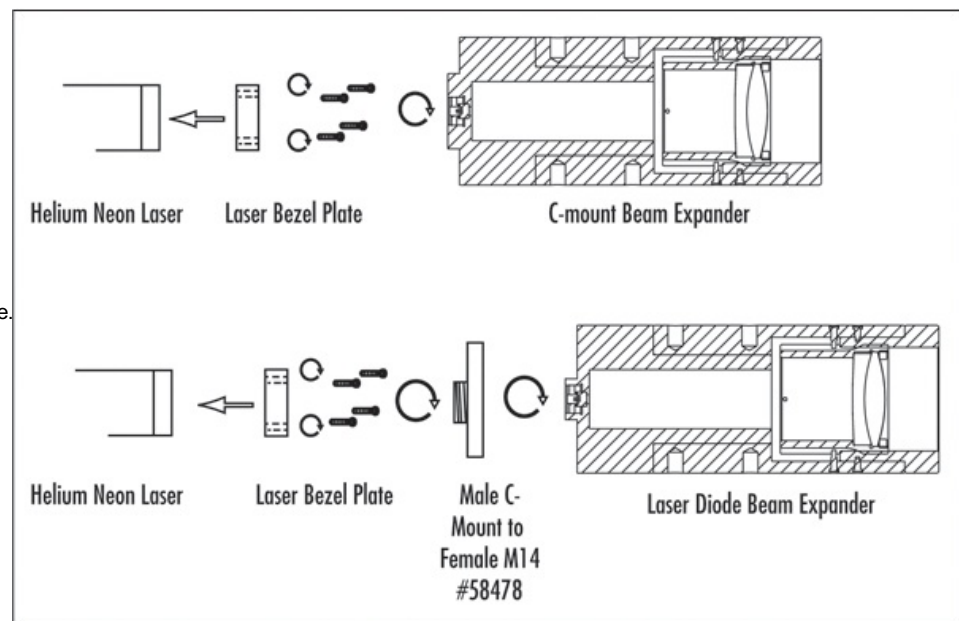
Product Details

- Low Noise
- Self-Contained Power Supply
- Small Size

Lumentum Helium-Neon (HeNe) Lasers feature hard-sealed internal mirrors and small physical sizes. Due to low noise, the lasers offer increased laser reliability, greater design flexibility, and enhanced performance. The base of the laser is slotted for lab table mounting. These Lumentum HeNe Lasers also feature self-contained power supplies for simple system integration. Typical applications include alignment, metrology, and inspection.

Note: Lumentum was previously known as JDSU. These HeNe lasers comply with 21CFR1040 and IEC 825-1:1993.

Technical Information



Beam Expander Mounting Configurations Click on an item below to be brought to that item's product page.