

## Swivel Arm



#03-684 Swivel Arm

Stock **#03-684** [CONTACT US](#)

MRP ₹10,594

**Price inclusive of all taxes**

**ADD TO CART**

Volume Pricing	
Qty 1+	₹10,594 each
Need More?	<a href="#">Request Quote</a>

### Product Downloads

### General

Mounting Adapter **Type:**

### Physical & Mechanical Properties

127 x 38.1 x 38.1 **Dimensions (mm):**

Black Anodized Aluminum with Stainless Steel Post **Construction:**

1.19 **Weight (lbs):**

1.5 W x 5 L x 1.5 H **Dimensions (inches):**

## Regulatory Compliance

**Compliant** **RoHS 2015:**

**View** **Certificate of Conformance:**

**Country of Origin:**  
United States

**Imported By:**  
Edmund Optics India Private Limited  
267, Greystone Building, Second Floor,  
6th Cross Rd, Binnamangala,  
Stage 1, Indiranagar, Bengaluru,  
Karnataka, India 560038  
Phone: +91- 80-6845 0000

## Product Details

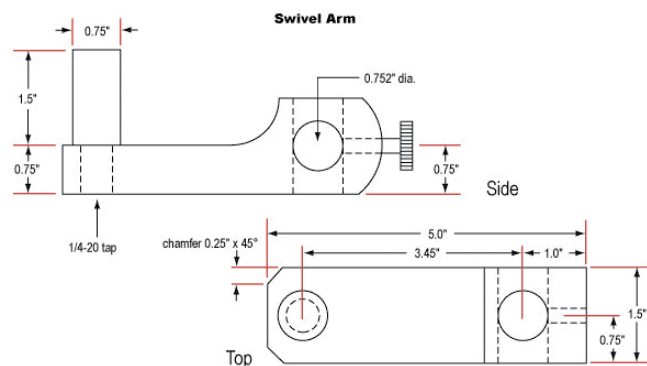
- Swivel Arm for Added Flexibility
- 90° Angle Mounts Connect Horizontal Arms onto Vertical Posts
- Ring Mounts for Increased Versatility
- [Imaging System Bases](#), [Rack and Pinion Focusing Mounts](#), and [Stainless Steel Posts](#) Also Available

Accessories for Imaging Systems are available to increase the versatility of an imaging system. Products in this family include a swivel arm, Infinity Microscope, 90° angle mount, and ring mounts. The swivel arm adds an axis of rotation to the rack and pinion-focusing mounts. The swivel arm can rotate around a vertical post, and the rack and pinion focus mount can rotate around the 3/4" post attached to the swivel arm. The Infinity microscope mounting adapter is compatible with Rack and Pinion Mount [#39-357](#) and reduces the thru hole diameter to 58mm. The 90° angle mount, offered in Accessories for Imaging Solutions, allows the mounting of posts at 90° in optical systems. Ring mounts are available for attaching light sources, articulating arms, straight posts, or any 1/4-20 accessory to standard mounting hardware.

### Features

90° Angle Mount [#39-355](#) features two 3/4" thru holes at 90° with locking knobs. All Ring Mounts feature 1/4-20 mounting hole, set screw for securing post, or optical component within the inner diameter. Swivel Arm [#03-684](#) features a 0.75" diameter post which accepts rack and pinion focusing mount and allows swivel movement. Infinity Mounting Adapter [#39-358](#) features male and female T-thread to replace 24mm tube section of infinity lens.

## Technical Information



Stock No.	A	T	O.D.	I.D.
<a href="#">#54-263</a>	0.375"	0.5"	2.5"	1.5"
<a href="#">#54-264</a>	0.375"	0.5"	1.75"	0.75"
<a href="#">#54-265</a>	0.271"	0.375"	1.25"	0.5"

