

[See all 19 Products in Family](#)

SWIR 1050nm Adjustable Bar Light



Effilux SWIR LED Bar Lights

Stock **#28-616** [CONTACT US](#)

⊖ 1 ⊕ MRP ₹1,43,370

📌 Price inclusive of all taxes

ADD TO CART

Volume Pricing	
Qty 1+	₹1,43,370 each
Need More?	Request Quote

Product Downloads

General

Model Number:
EFFI-FLEX-5-1050-KIT-ELS-600-24V

Number of LEDs:
5

Type of Illumination:
LED Illuminator

Manufacturer:
Effilux

Geometry:

Bar Light

Illumination Mode:

Strobed or Constant

Physical & Mechanical Properties

Dimensions (mm):

51.0 W x 135.0 L x 49.0 H

Weight (g):

360

Optical Properties

Color:

SWIR

Wavelength (nm):

1,050

Hardware & Interface Connectivity

Connector:

M12, 4 pins

Input Voltage (V):

24V DC

Power Supply:

Power Supply Required and Sold Separately.

USA: [#15-874](#)

Europe: [#15-875](#)

Japan: [#73-409](#)

Korea: [#73-409](#)

China: [#15-874](#)

Threading & Mounting

Mount:

2 Rails (1 for M6 T-Nuts)

Environmental & Durability Factors

Operating Temperature (°C):

0 to 50

Environmental Rating:

IP50

Regulatory Compliance

Certificate of Conformance:

[View](#)

Country of Origin:

France

Imported By:

Edmund Optics India Private Limited
267, Greystone Building, Second Floor,
6th Cross Rd, Binnamangala,
Stage 1, Indiranagar, Bengaluru,
Karnataka, India 560038
Phone: +91- 80-6845 0000

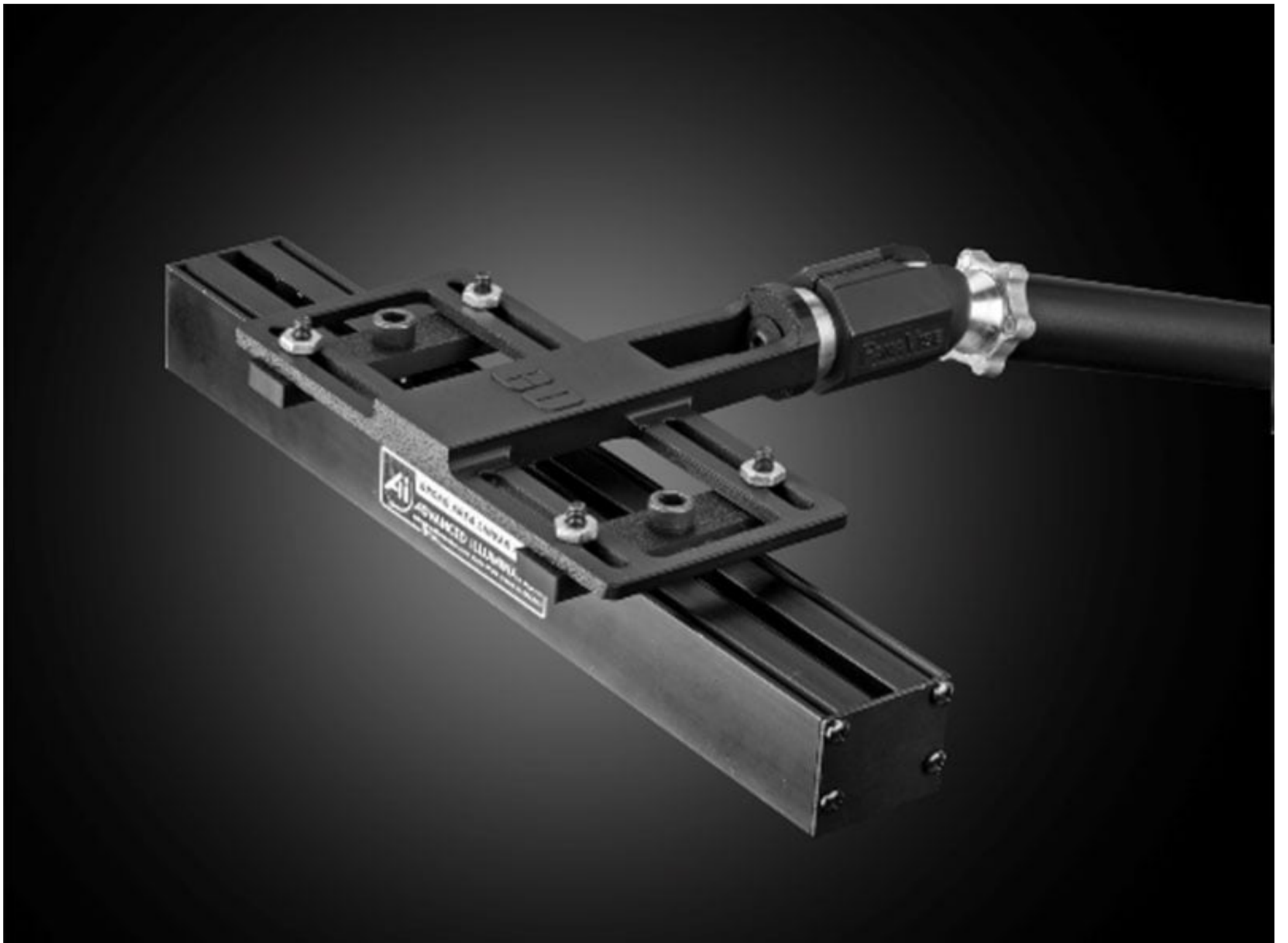
Product Details

- Full Range of SWIR Wavelengths Available
- High Intensity and Uniform Lighting
- Adjustable Illumination Angles

Effilux SWIR LED Bar Lights provide intense and uniform lighting for machine vision, sorting and silicon inspection applications. Available in wavelengths of 1050, 1200, 1300, 1450, 1550, and 1650nm. These bar lights feature adjustable lens positions and illumination angles for added flexibility. Effilux SWIR LED Bar Lights are ideal complements for applications utilizing TECHSPEC® C Series Fixed Focal Length SWIR Lenses, TECHSPEC® SilverTL™ SWIR Telecentric Lenses and LUCID Vision Labs Triton™ GigE Power over Ethernet (PoE) SWIR Cameras or Teledyne FLIR IIS Forge 1GigE SWIR Cameras.

Note: Included with the bar lights are one semi diffuse window and one 25° lens position kit.

[3D-Printable Mount Files](#)



Bar or Line Light Configuration

[Download Now](#)

Designed for use with the [Articulating Arm Mounting Systems](#), these 3D-printed mounts allow easy positioning of lights in brightfield or darkfield setups. The design is based on mounting illumination to 1/4-20" breadboards or into 80/20 extrusion systems, but can be adapted based on user needs. Mounts are available for ring, bar, line, and inline spot lights.



[Application Note](#)

[Illumination Mounts for Machine Vision Applications](#)

[Read](#)



[Video](#)

[Assembly of 3D Printed Mounts for Common Illumination Geometries](#)

[Watch](#)