

[See all 17 Products in Family](#)

SugarCUBE™ Light Guide Adapter - 53



SugarCUBE™ Light Guide Adapter - 53 (#66-303)

Stock **#66-303** [CONTACT US](#)

1 MRP ₹3,717

Price inclusive of all taxes

[ADD TO CART](#)

Volume Pricing

| | |
|------------|-------------------------------|
| Qty 1+ | ₹3,717 each |
| Need More? | Request Quote |

Product Downloads

General

Accessory **Type of Illumination:**

Physical & Mechanical Properties

0.439" **Ferrule Diameter (inches):**

1.505" **Shoulder Diameter (inches):**

Regulatory Compliance

Compliant **RoHS 2015:**

Compliant **Reach 224:**

View **Certificate of Conformance:**

Country of Origin:
United States

Imported By:
Edmund Optics India Private Limited
267, Greystone Building, Second Floor,
6th Cross Rd, Binnamangala,
Stage 1, Indiranagar, Bengaluru,
Karnataka, India 560038
Phone: +91- 80-6845 0000

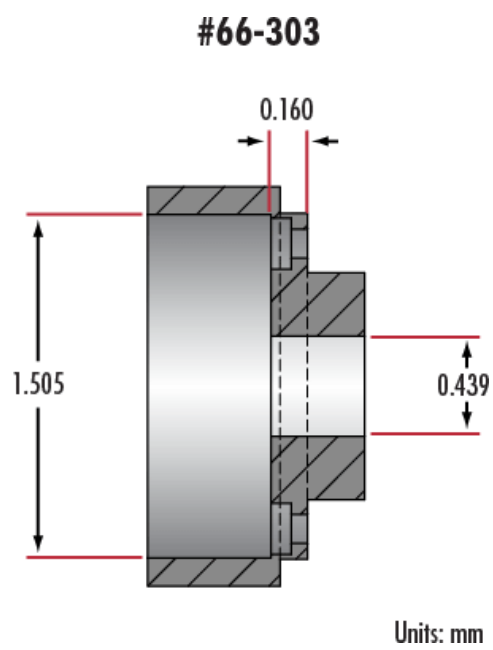
Product Details

- Direct Replacement for 150W Halogen Illuminators
- 50% Power Savings Compared To Halogen Source
- More than 60,000 Hour LED Lifetime
- For Use with [Fiber Optic Light Guides](#)

SugarCUBE™ LED Illuminators have an output of up to 1700 lumens and are ideal replacements for standard halogen illuminators because LED illuminators last up to 60 times longer than halogen bulbs and never need to be replaced. These illuminators are controllable manually through controls on the front of the unit or via RS-232 for easy integration into computer controlled systems. Optional, easy-to-operate software is also available.

Available with red, green, blue, white, or white options, SugarCUBE™ LED Illuminators fulfill a wide range of machine vision applications. The standard white unit offers an output power of greater than 1450 lumens and a radiant flux of 1200mW. A fiber optic adapter required to connect a light guide to the illuminator.

Technical Information



| Stock Number | Description | Shoulder Diameter (Inches) | Ferrule Diameter (Inches) | Compatible Illuminator | Compatible Light Guide |
|--------------|--------------------------------------|----------------------------|---------------------------|--------------------------------------|--|
| #66-301 | SugarCUBE™ Light Guide Adapter - 50 | 0.752 | 0.564 | Red, Green, Blue, White, Ultra White | 54-210, 39-826, 58-839, 54-174, 38-659, 39-369, 39-370, 39-371 Ultra White MUST use liquid light guides |
| #66-302 | SugarCUBE™ Light Guide Adapter - 52 | 0.877 | 0.564 | Red, Green, Blue, White, Ultra White | 54-210, 39-826, 58-839, 54-174, 38-659, 39-369, 39-370, 39-371 Ultra White MUST use liquid light guides |
| #66-303 | SugarCUBE™ Light Guide Adapter - 53 | 1.505 | 0.439 | Red, Green, Blue, White | |
| #66-304 | SugarCUBE™ Light Guide Adapter - 56 | 0.207 | 0.19 | Red, Green, Blue, White | 54-199, 42-344, 39-365, 42-345, 40-644, 39-366 |
| #66-305 | SugarCUBE™ Light Guide Adapter - 57 | 0.255 | 0.19 | Red, Green, Blue, White | 54-199, 42-344, 39-365, 42-345, 40-644, 39-366 |
| #66-306 | SugarCUBE™ Light Guide Adapter - 58 | 0.424 | 0.314 | Red, Green, Blue, White | 54-202, 53-045, 40-639, 42-346, 42-347, 39-367, 39-368, 53-689, 53-692, 53-690, 53-693, 53-691, 53-694 |
| #66-307 | SugarCUBE™ Light Guide Adapter - 65 | 1.52 | 0.63 | Red, Green, Blue, White | 54-212 |
| #66-308 | SugarCUBE™ Light Guide Adapter - 66 | 1.52 | 0.565 | Red, Green, Blue, White | 54-210, 39-826, 58-839, 54-174, 38-659, 39-369, 39-370, 39-371 |
| #13-536 | SugarCUBE™ Light Guide Adapter - 3mm | 0.57 | 0.314 | Red, Green, Blue, White, Ultra White | 54-202, 53-045, 40-639, 42-346, 42-347, 39-367, 39-368, 53-689, 53-692, 53-690, 53-693, 53-691, 53-694 Ultra White MUST use liquid light guides |
| #13-537 | SugarCUBE™ Light Guide Adapter - 5mm | 0.455 | 0.314 | Red, Green, Blue, White, Ultra White | 54-202, 53-045, 40-639, 42-346, 42-347, 39-367, 39-368, 53-689, 53-692, 53-690, 53-693, 53-691, 53-694 Ultra White MUST use liquid light guides |