

[See all 3 Products in Family](#)

TECHSPEC® S-Mount Iris Diaphragm Mount



TECHSPEC® S-Mount Iris Diaphragm Barrel

Stock **#11-151** **3 In Stock**

MRP ₹22,801

Price inclusive of all taxes

ADD TO CART

Volume Pricing	
Qty 1-4	₹22,801 each
Qty 5-9	₹20,118 each
Qty 10-25	₹18,564 each
Need More?	Request Quote

Product Downloads

General

Iris Diaphragm **Function:**

Physical & Mechanical Properties

12.0 **Extension Length (mm):**

Total Length (mm):

15.0

0.7 - 5.0

17.0

Clear Aperture CA (mm):

Outer Diameter (mm):

Threading & Mounting

S-Mount Thread Type:

Regulatory Compliance

Compliant RoHS 2015:

Compliant Reach 219:

View Certificate of Conformance:

United States Country of Origin:

Imported By:
Edmund Optics India Private Limited
267, Greystone Building, Second Floor,
6th Cross Rd, Binnamangala,
Stage 1, Indiranagar, Bengaluru,
Karnataka, India 560038
Phone: +91- 80-6845 0000

Product Details

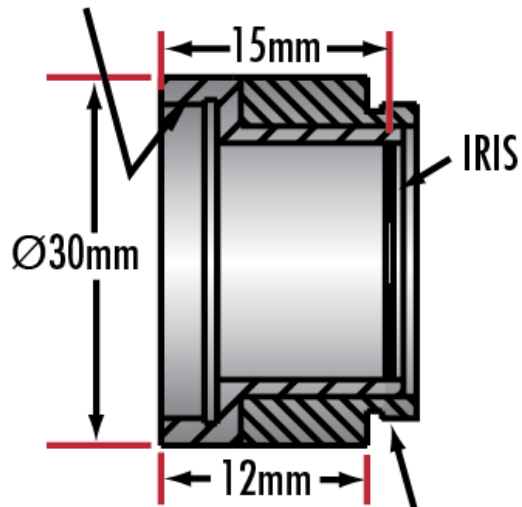
- Variable Apertures for C, S, and T-Mount Systems
- Male and Female Thread at Opposite Ends for Easy Integration
- Adjusted via Rotating Ring or Lever for Precision Control

TECHSPEC® C, S, and T-Mount Iris Diaphragm Mounts feature iris diaphragms that allow for precision control over the internal aperture within a system. Using male and female threads, these mounts can be placed anywhere within a C, S, or T-Mount system. The apertures can be adjusted via a rotating ring for the C-Mount version, with a 4mm lever for the S-Mount version and with a 5mm lever for the T-Mount version. TECHSPEC C, S, and T-Mount Iris Diaphragm Mounts add 12mm, 12mm, and 18mm to the system length, respectively. These mounts are ideal for providing control over the f/#, field stop diameter, and overall energy throughput of a C, S, or T-Mount system.

NOTE: The iris planes sit approximately 15mm, 8mm, and 12mm from the female ends of the TECHSPEC C, S, and T-Mount Iris Diaphragm Mounts, respectively.

Technical Information

1 - 32 C-Mount Female Thread



1 - 32 C-Mount Male Thread

