

[See all 4 Products in Family](#)

Replacement Glass Stage for #85-347



#12-637: Universal Breadboard Adapter for 1/4" Posts



Stock **#43-727** CLEARANCE **20+ In Stock**

MRP ₹1,337

Price inclusive of all taxes

ADD TO CART

Volume Pricing

Qty 1+	₹1,337 each
Need More?	Request Quote

Product Downloads

General

Imaging System Base **Type:**

Regulatory Compliance

[View](#) **Certificate of Conformance:**

Country of Origin:

United States

Imported By:

Edmund Optics India Private Limited
267, Greystone Building, Second Floor,
6th Cross Rd, Binnamangala,
Stage 1, Indiranagar, Bengaluru,
Karnataka, India 560038
Phone: +91-80-6845 0000

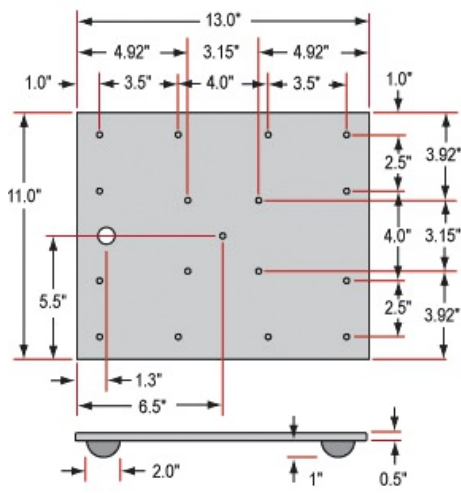
Product Details

- Variety of Bases Available
- Stand-Alone or Benchtop Compatible Bases
- Designed for Use with 0.75" [Stainless Steel Posts](#)
- [Rack and Pinion Focusing Mounts](#), and [Accessories](#) also Available

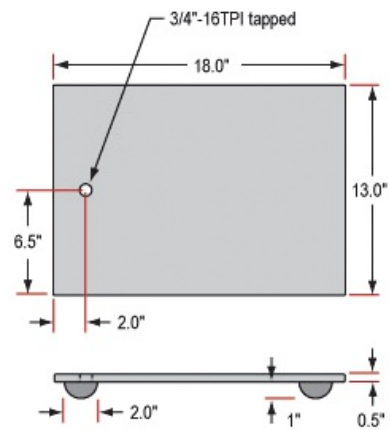
Imaging System Bases are designed to construct imaging systems utilizing our 0.75" (19.05mm) diameter, 16 TPI mounting posts. The Large Workstation Platform and Small Platform Base feature sorbothane feet to minimize vibration. The Circular Base is weighted for added stability. The Universal Breadboard Adapter for 3/4" Posts features slots that allow for mounting to both metric and English [optical tables and breadboards](#). Imaging System Bases are available for a variety of system mounting and construction needs.

Technical Information

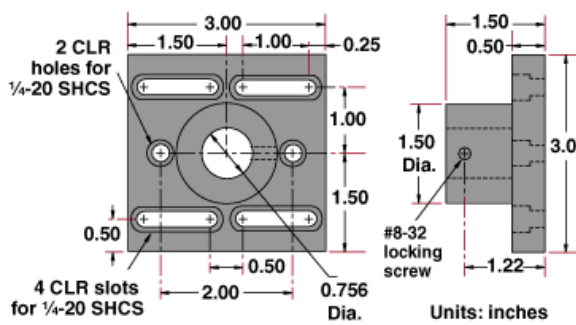
Small Platform Workstation #53-009



Large Platform Workstation #39-346



#54-262 Breadboard Adapter



Units: inches