

[See all 12 Products in Family](#)

## Power Cord for MFC-200 Power Supply (120V)

See More by [Nikon](#)



Power Cord for MFC-200 Power Supply (120V)

Stock **#29-232** [CONTACT US](#)

1  MRP ₹1,726

 Price inclusive of all taxes

**ADD TO CART**

### Volume Pricing

Qty 1+	₹1,726 each
Need More?	<a href="#">Request Quote</a>

### Product Downloads

### General

Power Supply **Type:**  
Nikon **Manufacturer:**

### Regulatory Compliance

[View](#) **Certificate of Conformance:**

**Country of Origin:**

China

**Imported By:**

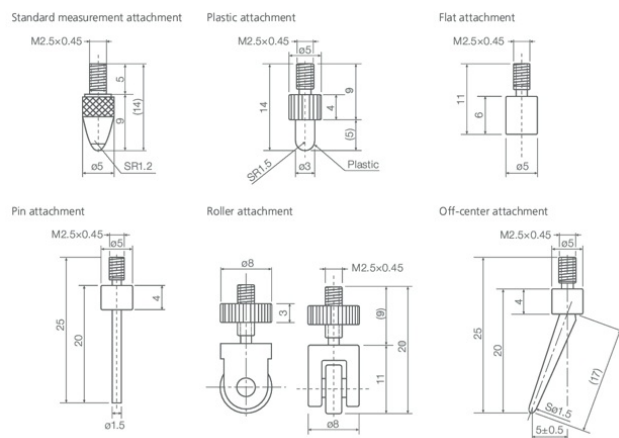
Edmund Optics India Private Limited  
267, Greystone Building, Second Floor,  
6th Cross Rd, Binnamangala,  
Stage 1, Indiranagar, Bengaluru,  
Karnataka, India 560038  
Phone: +91- 80-6845 0000

## Product Details

- 1µm Accuracy (at 20°C) and Measurement Length of 0 - 50mm
- 500mm/sec Maximum Response Speed
- Granite Platform Stand and 6 Measuring Probe Tips Available

The Nikon DIGIMCRO Digital Length Measuring System features a built-in, photoelectric, digital linear scale to provide precise contact-based thickness, depth, and height measurements of industrial materials. This measuring system has a 0 – 50mm measuring range and a 0.1µm minimum readable value at an accuracy of 1µm (at 20°C) with a response speed of 500mm/sec. The measurement head has 6 measuring probe tip options such as the standard, pin, plastic, off-center, flat, and roller tips for measurements of various materials. The Nikon DIGIMCRO Digital Length Measuring System is equipped with the MFC-200 Digital Counter for display and resolution switching, direction switching, and display unit switching functions. This measuring system is ideal industrial metrology applications requiring extreme precision and accuracy.

## Technical Information



PID4485\_Measurement\_Probes