

[See all 16 Products in Family](#)

# Olympus Wide Field Tube Lens to T-Mount Holder

See More by [Olympus](#)



Olympus Wide Field Tube Lens to T-Mount Holder (#11-149)

Stock **#11-149** **5 In Stock**

1  MRP ₹18,585

**!** Price inclusive of all taxes

**ADD TO CART**

Volume Pricing	
Qty 1+	₹18,585 each
Need More?	<a href="#">Request Quote</a>

## Product Downloads

### General

Edmund Optics® **Manufacturer:**

**Note:**  
Requires adapter [#52-301](#) to connect Olympus objective

### Physical & Mechanical Properties

56.0 **Outer Diameter (mm):**

## Threading & Mounting

### Mounting Threads:

External: M42 x0.75 (Male and Female)  
Internal: M41 x0.5

## Regulatory Compliance

### Certificate of Conformance:

[View](#)

### Country of Origin:

United States

### Imported By:

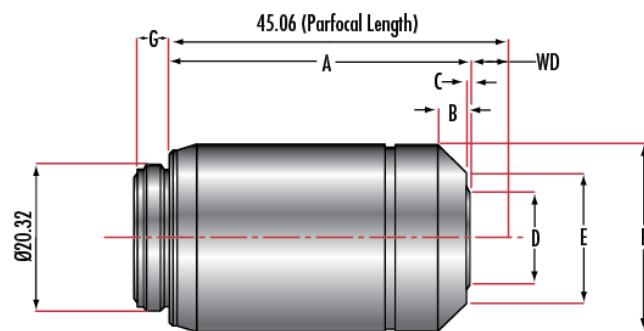
Edmund Optics India Private Limited  
267, Greystone Building, Second Floor,  
6th Cross Rd, Binnamangala,  
Stage 1, Indiranagar, Bengaluru,  
Karnataka, India 560038  
Phone: +91-80-6845 0000

## Product Details

- Ideal for Brightfield, Darkfield, DIC, Fluorescence, or Polarization Microscopy
- Excellent Transmission in the UV
- High Numerical Apertures, Oil Immersion, and Variable Iris Options Available
- Additional [Olympus Infinity Corrected Objectives](#) Available

Olympus Plan Fluorite Objectives are multi-purpose objectives that utilize advanced multi-coatings to provide excellent flat field images from the UV to NIR. The objectives offer high signal-to-noise ratios, excellent resolution, and high contrast imaging capability. These objectives are ideal for brightfield microscopy or Nomarski differential interference contrast (DIC) observations, in addition to darkfield or fluorescence microscopy, or specific polarization techniques. Olympus Plan Fluorite Objectives are available in 4X up to 100X magnification. High Numerical Apertures, Oil Immersion, and Variable Iris options are available. Variable Iris options feature a correction collar to adjust the iris and reduce straylight to fine-tune the image as needed. Additional [Olympus Infinity Corrected Objectives](#) are also offered.

## Technical Information



	Stock #	A	B	C	D	E	F	G
UPLFLN 4X	<a href="#">86-817</a>	27.9	2.8	0.0	18.0	18.0	24.0	4.5
UPLFLN 10X	<a href="#">86-818</a>	34.9	10.1	0.0	13.6	13.6	24.0	4.5
UPLFLN 20X	<a href="#">86-819</a>	42.8	5.3	2.3	9.4	15.8	26.0	4.5
UPLFLN 40X	<a href="#">86-820</a>	44.4	5.1	4.0	8.5	16.0	26.0	4.5
UPLFLN 60X	<a href="#">86-822</a>	44.7	5.2	2.7	8.6	17.0	29.0	4.7
UPLFLN 100X(Oil Immersion)	<a href="#">86-823</a>	44.7	5.5	3.0	7.0	17.2	28.0	4.5

