

Olympus UPLXAPO 4X Objective

See More by [Olympus](#)



Olympus UPLXAPO 4X Objective, #14-905

Stock #14-905 **3 In Stock**

- 1 + MRP ₹2,69,748

● Price inclusive of all taxes

ADD TO CART

Volume Pricing	
Qty 1+	₹2,69,748 each
Need More?	Request Quote

Product Downloads

General

UPLXAPO4X
Model Number:
 Compatible Tube Lens Focal Length (mm):
 Focal Length: 180mm

Microscope Objective
Type:
 Infinity Corrected
Style:

Olympus **Manufacturer:**

Physical & Mechanical Properties

6.63 **Field of View (mm):**

32.06 **Length excluding Threads (mm):**

28 **Maximum Diameter (mm):**

107 **Weight (g):**

Optical Properties

N/A **Compatible Cover Glass Thickness (mm):**

45.00 **Focal Length FL (mm):**

4X **Magnification:**

0.16 **Numerical Aperture NA:**

2.1 **Resolving Power (μm):**

10.74 **Depth of Field (μm):**

13.0 **Working Distance (mm):**

400 - 1000 **Wavelength Range (nm):**

26.5 **Field Number (mm):**

45.06 **Parfocal Length (mm):**

N/A **Immersion Liquid:**

14.40 **Entrance Pupil Diameter (mm):**

Threading & Mounting

RMS / 20.32mm x 36 TPI **Mounting Threads:**

Regulatory Compliance

[View](#) **Certificate of Conformance:**

Japan **Country of Origin:**

Imported By:
Edmund Optics India Private Limited
267, Greystone Building, Second Floor,
6th Cross Rd, Binnamangala,
Stage 1, Indiranagar, Bengaluru,
Karnataka, India 560038
Phone: +91- 80-6845 0000

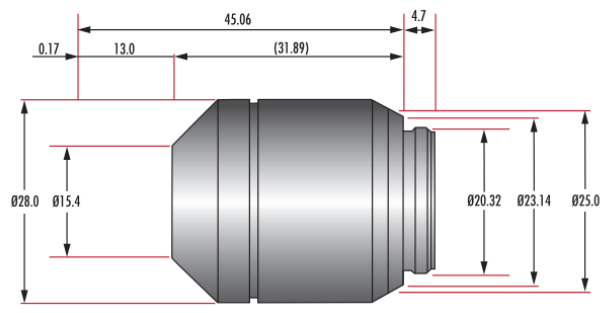
Product Details

- High Numerical Aperture (NA) up to 1.45
- Chromatic Aberration Correction from 400 - 1000nm
- Uniform Image Flatness over Large FOVs

Olympus X-Line Extended Apochromat Infinity Corrected Objectives (also referred to as the UPLXAPO series) are Olympus' next generation high performance objectives that simultaneously feature high numerical aperture (NA), broadband chromatic aberration correction, and excellent image flatness. The high numerical aperture (NA) allows for excellent light collection efficiency to better capture faint signals, enabling a shorter exposure time and higher contrast. The broad chromatic aberration correction compensates for the wavelength-dependent spatial shift of colors to achieve excellent color reproduction. These objectives also achieve high image flatness from the center to the edges of images over large fields of view (FOV), making them ideal for image stitching and quantitative image analysis. Olympus X-Line Extended Apochromat Infinity Corrected Objectives are used in demanding life science and clinical applications including pathology, fluorescence microscopy, multicolor or widefield fluorescence imaging, confocal or super resolution microscopy, and whole slide imaging.

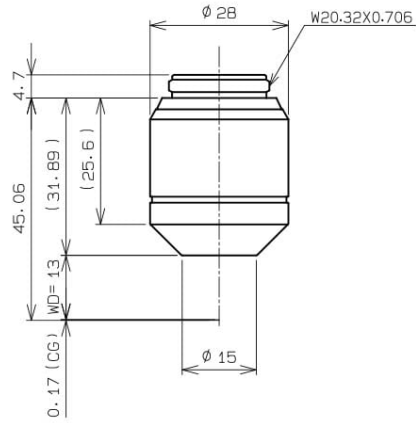
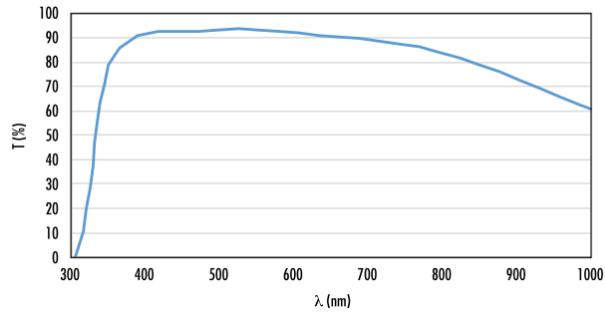
Technical Information

#14-905

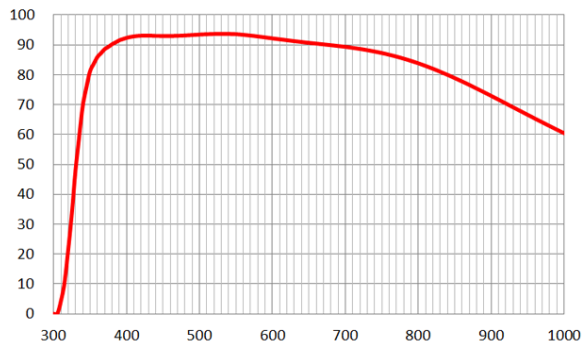


Units: mm

#14-905



Transmittance/Wavelength



	Stock #	A	B	C	D	E	F	G	WD
Olympus UPLXAPO 4X Objective	#14-905	31.89	-	-	15.4	15.4	28	4.7	13.0
Olympus UPLXAPO 10X Objective	#14-906	41.78	3.7	4.28	9.6	19.4	28	4.6	3.1
Olympus UPLXAPO 20X Objective	#14-907	44.28	3.39	2.88	10.2	18.6	28	4.8	0.61
Olympus UPLXAPO 40X Objective	#14-908	44.71	4.21	2.11	7.5	20.3	31.5	4.9	0.18
Olympus UPLXAPO 60X Oil Immersion Objective	#14-909	44.74	2.1	2.84	10	19.3	31.5	4.9	0.15
Olympus UPLXAPO 100X Oil Immersion Objective	#14-910	44.76	2.1	3.06	7.5	19.1	30.5	4.8	0.135