

[See all 16 Products in Family](#)

Olympus UPLFLN 60X (Oil Immersion) 0.65 - 1.25 NA Adjustable Iris Objective

See More by [Olympus](#)



Olympus UPLFLN 60X(Oil Immersion) 0.65 - 1.25 NA Adjustable Iris Objective

Stock **#91-765** NEW CONTACT US

-
1
+
MRP ₹4,95,954

i Price inclusive of all taxes

ADD TO CART

Volume Pricing	
Qty 1+	₹4,95,954 each
Need More?	Request Quote

Product Downloads

General

Model Number:
UPLFLN60XOI

Compatible Tube Lens Focal Length (mm):
Focal Length: 180mm

Type:
Microscope Objective

Style:
Infinity Corrected

Olympus **Manufacturer:**

Recommended Immersion Oil [#86-834](#) **Note:**

Physical & Mechanical Properties

0.44 **Field of View (mm):**

45.06 **Length excluding Threads (mm):**

30.5 **Maximum Diameter (mm):**

158 **Weight (g):**

Adjustable Iris **Iris Option:**

Optical Properties

0.17 **Compatible Cover Glass Thickness (mm):**

3.00 **Focal Length FL (mm):**

60X **Magnification:**

1.25 **Numerical Aperture NA:**

0.42 - 0.22 **Resolving Power (μm):**

0.12 **Working Distance (mm):**

380 - 900 **Wavelength Range (nm):**

26.5 **Field Number (mm):**

45 **Parfocal Length (mm):**

Oil **Immersion Liquid:**

0.65 - 1.25 **Numerical Aperture (NA) Range:**

0.65 - 0.18 **Depth of Field Range (μm):**

Threading & Mounting

RMS / 20.32mm x 36 TPI **Mounting Threads:**

Regulatory Compliance

[Exempt](#) **RoHS 2015:**

[View](#) **Certificate of Conformance:**

Japan **Country of Origin:**

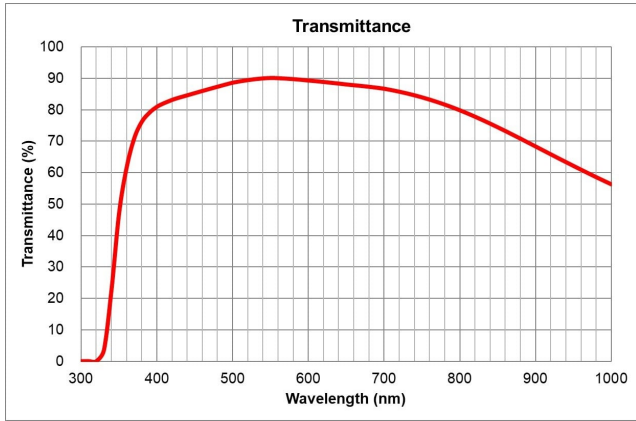
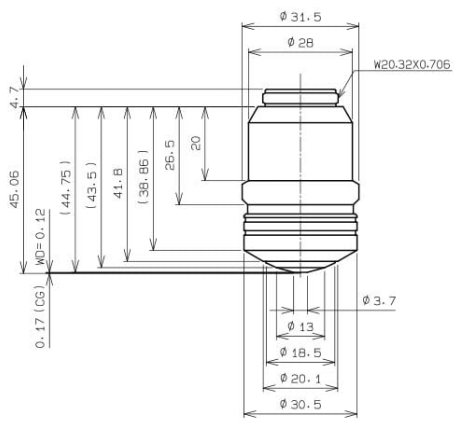
Imported By:
Edmund Optics India Private Limited
267, Greystone Building, Second Floor,
6th Cross Rd, Binnamangala,
Stage 1, Indiranagar, Bengaluru,
Karnataka, India 560038
Phone: +91- 80-6845 0000

Product Details

- Ideal for Brightfield, Darkfield, DIC, Fluorescence, or Polarization Microscopy
- Excellent Transmission in the UV
- High Numerical Apertures, Oil Immersion, and Variable Iris Options Available
- Additional [Olympus Infinity Corrected Objectives](#) Available

Olympus Plan Fluorite Objectives are multi-purpose objectives that utilize advanced multi-coatings to provide excellent flat field images from the UV to NIR. The objectives offer high signal-to-noise ratios, excellent resolution, and high contrast imaging capability. These objectives are ideal for brightfield microscopy or Nomarski differential interference contrast (DIC) observations, in addition to darkfield or fluorescence microscopy, or specific polarization techniques. Olympus Plan Fluorite Objectives are available in 4X up to 100X magnification. High Numerical Apertures, Oil Immersion, and Variable Iris options are available. Variable Iris options feature a correction collar to adjust the iris and reduce straylight to fine-tune the image as needed. Additional [Olympus Infinity Corrected Objectives](#) are also offered.

Technical Information



	Stock #	A	B	C	D	E	F	G
UPLFLN 4X	86-817	27.9	2.8	0.0	18.0	18.0	24.0	4.5
UPLFLN 10X	86-818	34.9	10.1	0.0	13.6	13.6	24.0	4.5
UPLFLN 20X	86-819	42.8	5.3	2.3	9.4	15.8	26.0	4.5
UPLFLN 40X	86-820	44.4	5.1	4.0	8.5	16.0	26.0	4.5
UPLFLN 60X	86-822	44.7	5.2	2.7	8.6	17.0	29.0	4.7
UPLFLN 100X (Oil Immersion)	86-823	44.7	5.5	3.0	7.0	17.2	28.0	4.5

