

[See all 10 Products in Family](#)

Olympus SLMPLN 100X Objective

See More by [Olympus](#)



#86-826

Stock **#86-826** [CONTACT US](#)

- 1 + MRP ₹8,98,452

1 Price inclusive of all taxes

ADD TO CART

Volume Pricing	
Qty 1+	₹8,98,452 each
Need More?	Request Quote

Product Downloads

General

SLMPLN100X	Model Number:
Compatible Tube Lens Focal Length (mm): Focal Length: 180mm	
Microscope Objective	Type:
Infinity Corrected	Style:

Olympus **Manufacturer:**

Physical & Mechanical Properties

0.26 **Field of View (mm):**

37.40 **Length excluding Threads (mm):**

26 **Maximum Diameter (mm):**

100 **Weight (g):**

Optical Properties

N/A **Compatible Cover Glass Thickness (mm):**

1.80 **Focal Length FL (mm):**

100X **Magnification:**

0.60 **Numerical Aperture NA:**

T> 90 from 400-700nm **Transmission (%):**

0.56 **Resolving Power (μm):**

0.76 **Depth of Field (μm):**

7.6 **Working Distance (mm):**

400 - 700 **Wavelength Range (nm):**

26.5 **Field Number (mm):**

45 **Parfocal Length (mm):**

N/A **Immersion Liquid:**

2.16 **Entrance Pupil Diameter (mm):**

Threading & Mounting

RMS / 20.32mm x 36 TPI **Mounting Threads:**

Regulatory Compliance

[View](#) **Certificate of Conformance:**

Japan **Country of Origin:**

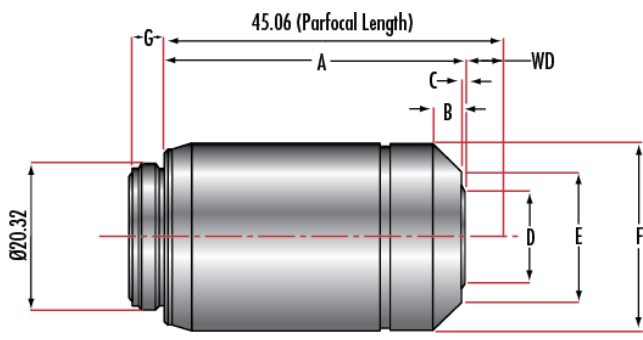
Imported By:
Edmund Optics India Private Limited
267, Greystone Building, Second Floor,
6th Cross Rd, Binnamangala,
Stage 1, Indiranagar, Bengaluru,
Karnataka, India 560038
Phone: +91-80-6845 0000

Product Details

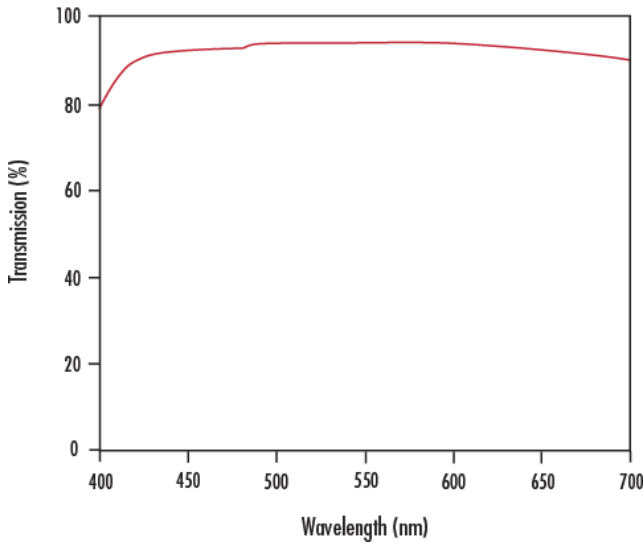
- Ideal for Brightfield Microscopy
- Ultra-Long Working Distances Reduce Risk of Specimen Damage
- Over 90% Transmission from 400 – 700nm
- Additional [Olympus Infinity Corrected Objectives](#) Available

Olympus Super Long WD MPlan Achromat Infinity Corrected Objectives are ideal for electronic assembly, semiconductor inspection, or other flat field inspection applications where resolution is critical. Olympus Super Long WD M Plan Achromat Infinity Corrected Objectives provide excellent performance, ultra-long working distances, and superior image clarity.

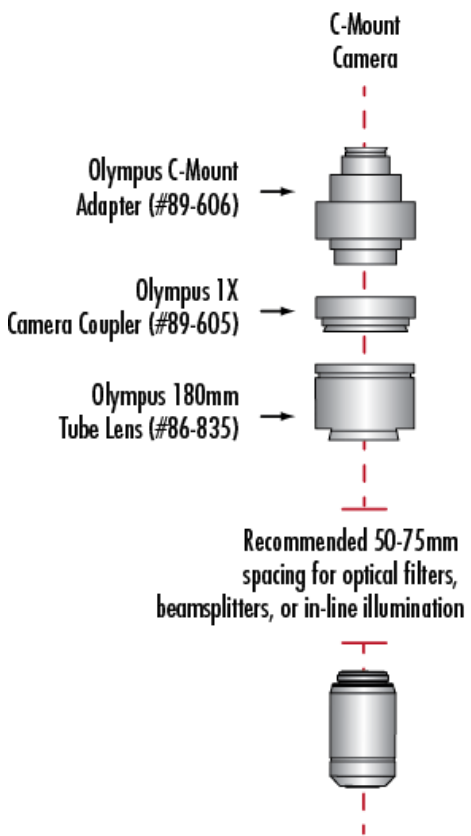
Technical Information



Typical Transmission



Using Olympus Objectives with C-Mount Cameras



Stock #ABCDEFG

SLMPLN 20X	86-824	20.0	0.5	0.2	16.1	25.0	26.0	4.9
SLMPLN 50X	86-825	27.0	2.2	0.7	16.9	21.4	26.0	4.9
SLMPLN 100X	86-826	37.4	1.0	0.2	14.7	23.8	26.0	4.9

