

[See all 14 Products in Family](#)

Olympus PLN 2X Objective

See More by [Olympus](#)



Olympus Plan Achromatic Objectives



Stock **#16-879** [CONTACT US](#)

- 1 + MRP ₹89,208

● Price inclusive of all taxes

ADD TO CART

Volume Pricing

Qty 1+	₹89,208 each
Need More?	Request Quote

Product Downloads

General

Model Number:
PLN2X

Compatible Tube Lens Focal Length (mm):
Focal Length: 180mm

Type:
Microscope Objective

Infinity Corrected

Style:

Olympus

Manufacturer:

Physical & Mechanical Properties

11.00 Field of View (mm):

39.10 Length excluding Threads (mm):

24 Maximum Diameter (mm):

97.9 Weight (g):

Optical Properties

N/A Compatible Cover Glass Thickness (mm):

90.00 Focal Length FL (mm):

2X Magnification:

0.06 Numerical Aperture NA:

5.59 Resolving Power (μm):

76.39 Depth of Field (μm):

5.8 Working Distance (mm):

22 Field Number (mm):

45 Parfocal Length (mm):

N/A Immersion Liquid:

306 Depth of Focus (μm):

10.80 Entrance Pupil Diameter (mm):

Threading & Mounting

RMS / 20.32mm x 36 TPI Mounting Threads:

Regulatory Compliance

[View](#) Certificate of Conformance:

Japan Country of Origin:

Imported By:
Edmund Optics India Private Limited
267, Greystone Building, Second Floor,
6th Cross Rd, Binnamangala,
Stage 1, Indiranagar, Bengaluru,
Karnataka, India 560038
Phone: +91-80-6845 0000

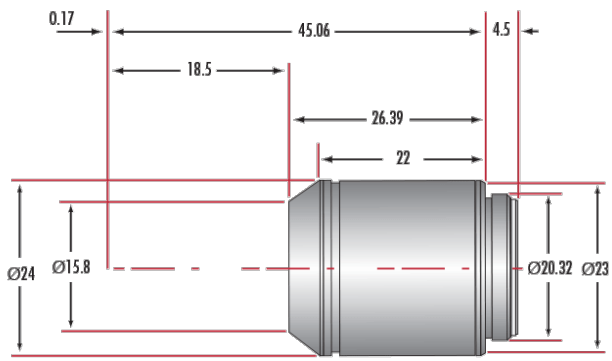
Product Details

- Ideal for Brightfield, Darkfield, or Fluorescence Microscopy
- Excellent Price-to-Performance Ratio
- Suitable for Introductory and Advanced Optical Microscopy Applications
- Additional [Olympus Infinity Corrected Objectives](#) Available

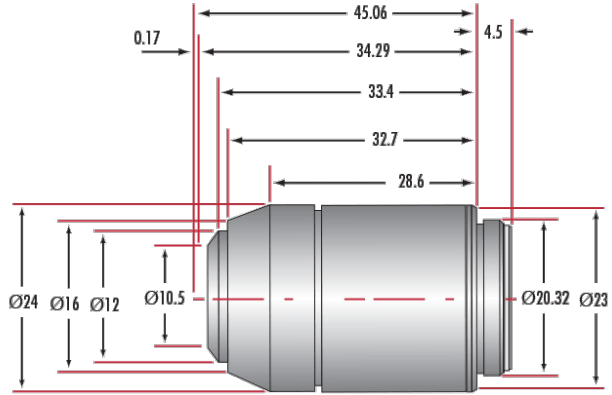
Olympus Plan Achromatic Objectives are designed for clinical laboratory or examination applications. When using brightfield observation in a transmitted illumination system, Olympus Plan Achromatic Objectives provide excellent field flatness of up to F.N.22.

Technical Information

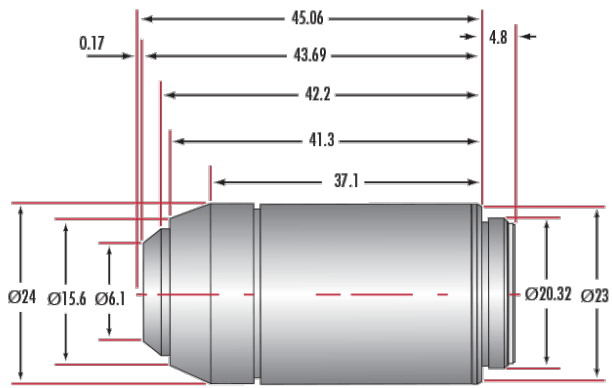
#86-812



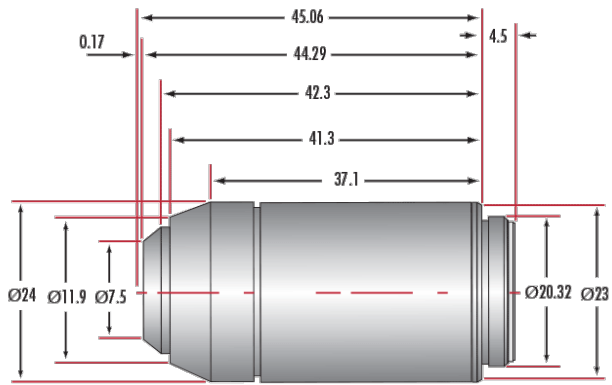
#86-813



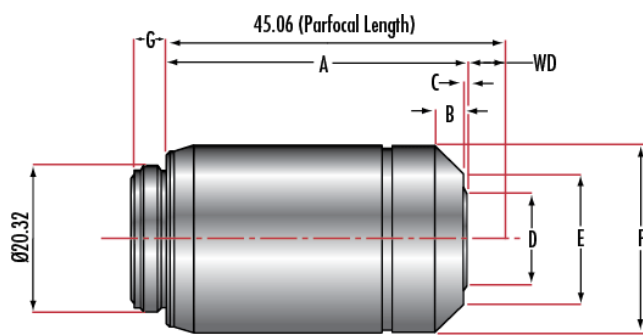
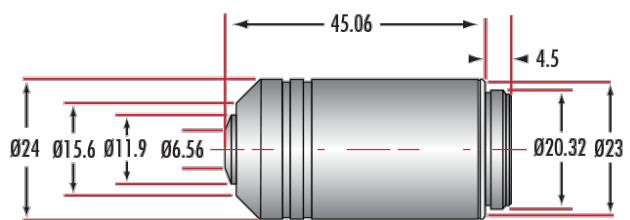
#86-814



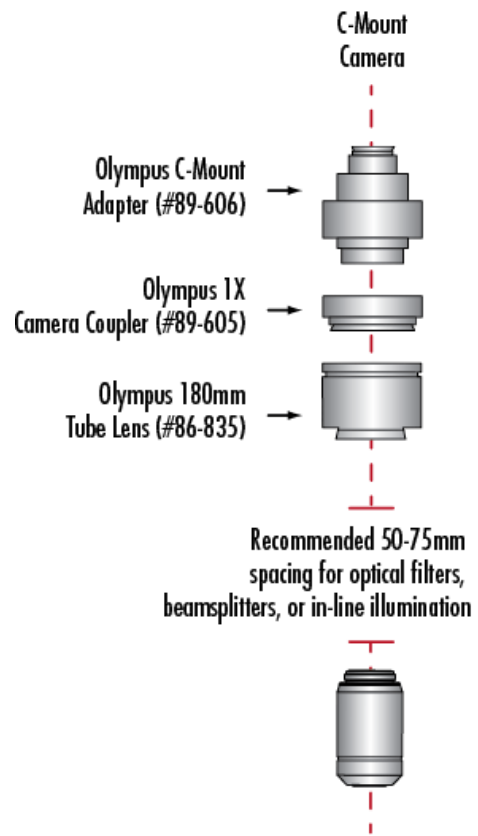
#86-815



#86-816



Using Olympus Objectives with C-Mount Cameras



	Stock #	A	B	C	D	E	F	G
PLN 2X	16-879	39.1	3.4	0.0	16.8	16.8	24.0	4.5
PLN 4X	86-812	26.4	4.4	0.0	15.8	15.8	24.0	4.5
PLN 10X	86-813	34.3	4.1	1.6	10.5	16.0	24.0	4.5
PLN 20X	86-814	43.7	4.2	2.4	6.1	15.6	24.0	4.8
PLN 40X	86-815	44.3	4.2	3.0	7.5	15.6	24.0	4.5
PLN 100X	86-816	44.7	4.2	2.5	6.6	15.6	24.0	4.5

