

Olympus PLN 20X Objective

See More by [Olympus](#)



#86-814

Stock **#86-814** **3 In Stock**

MRP ₹54,162

● Price inclusive of all taxes

ADD TO CART

Volume Pricing	
Qty 1+	₹54,162 each
Need More?	Request Quote

Product Downloads

General

PLN20X **Model Number:**

Compatible Tube Lens Focal Length (mm):
Focal Length: 180mm

Microscope Objective **Type:**

Infinity Corrected **Style:**

Olympus

Manufacturer:

Physical & Mechanical Properties

1.1 Field of View (mm):

43.70 Length excluding Threads (mm):

24 Maximum Diameter (mm):

112.0 Weight (g):

Optical Properties

0.17 Compatible Cover Glass Thickness (mm):

9.00 Focal Length FL (mm):

20X Magnification:

0.40 Numerical Aperture NA:

0.84 Resolving Power (μm):

1.72 Depth of Field (μm):

1.2 Working Distance (mm):

22 Field Number (mm):

45 Parfocal Length (mm):

N/A Immersion Liquid:

688 Depth of Focus (μm):

7.20 Entrance Pupil Diameter (mm):

Threading & Mounting

RMS / 20.32mm x 36 TPI Mounting Threads:

Regulatory Compliance

Exempt RoHS 2015:

Contains SVHC(s) Reach 223:

View Certificate of Conformance:

Japan Country of Origin:

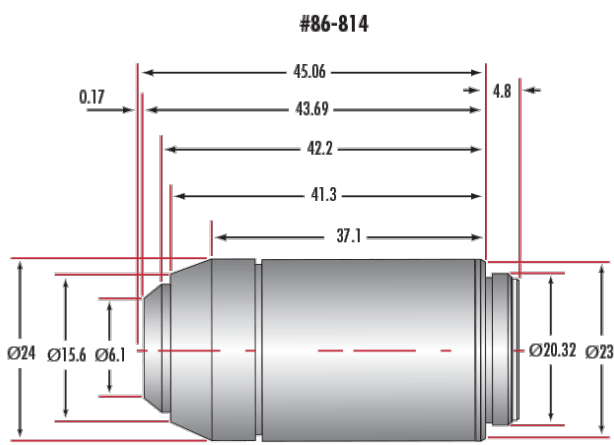
Imported By:
Edmund Optics India Private Limited
267, Greystone Building, Second Floor,
6th Cross Rd, Binnamangala,
Stage 1, Indiranagar, Bengaluru,
Karnataka, India 560038
Phone: +91- 80-6845 0000

Product Details

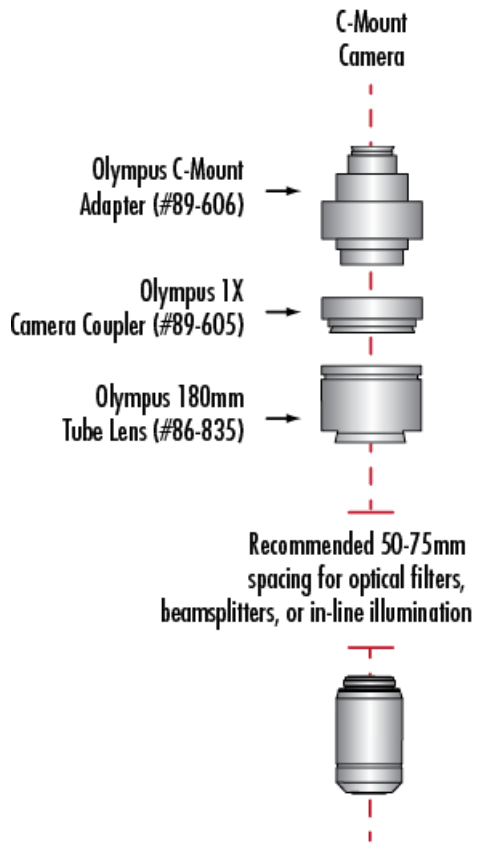
- Ideal for Brightfield, Darkfield, or Fluorescence Microscopy
- Excellent Price-to-Performance Ratio
- Suitable for Introductory and Advanced Optical Microscopy Applications
- Additional [Olympus Infinity Corrected Objectives](#) Available

Olympus Plan Achromatic Objectives are designed for clinical laboratory or examination applications. When using brightfield observation in a transmitted illumination system, Olympus Plan Achromatic Objectives provide excellent field flatness of up to F.N.22.

Technical Information



**Using Olympus Objectives
with C-Mount Cameras**



	Stock #	A	B	C	D	E	F	G
PLN 2X	16-879	39.1	3.4	0.0	16.8	16.8	24.0	4.5
PLN 4X	86-812	26.4	4.4	0.0	15.8	15.8	24.0	4.5
PLN 10X	86-813	34.3	4.1	1.6	10.5	16.0	24.0	4.5
PLN 20X	86-814	43.7	4.2	2.4	6.1	15.6	24.0	4.8
PLN 40X	86-815	44.3	4.2	3.0	7.5	15.6	24.0	4.5
PLN 100X	86-816	44.7	4.2	2.5	6.6	15.6	24.0	4.5