

[See all 41 Products in Family](#)

Olympus MPLFLN-BD 150X Objective

See More by [Olympus](#)



Olympus MPLFLN-BD 150X Objective

Stock **#75-246** **1 In Stock**

1 MRP ₹9,95,094

1 Price inclusive of all taxes

ADD TO CART

| Volume Pricing | |
|----------------|-------------------------------|
| Qty 1+ | ₹9,95,094 each |
| Need More? | Request Quote |

Product Downloads

General

Model Number:
MPLFLN150XBD (1-U2N555)

Compatible Tube Lens Focal Length (mm):
Focal Length: 180mm

Type:
Microscope Objective

Style:
Infinity Corrected

Olympus

Manufacturer:

Physical & Mechanical Properties

32.00 Diameter (mm):

0.18 Field of View (mm):

48.45 Length (mm):

43.95 Length excluding Threads (mm):

32.0 Maximum Diameter (mm):

104 Weight (g):

2.16 Exit Pupil Diameter (mm):

Optical Properties

N/A Compatible Cover Glass Thickness (mm):

1.20 Focal Length FL (mm):

150X Magnification:

0.90 Numerical Aperture NA:

0.37 Resolving Power (μm):

0.34 Depth of Field (μm):

1.00 Working Distance (mm):

400 - 700 Wavelength Range (nm):

26.5 Field Number (mm):

45.00 Parfocal Length (mm):

N/A Immersion Liquid:

Threading & Mounting

M26 x 36 TPI Mounting Threads:

Regulatory Compliance

[View](#) Certificate of Conformance:

Japan Country of Origin:

Imported By:
Edmund Optics India Private Limited
267, Greystone Building, Second Floor,
6th Cross Rd, Binnamangala,
Stage 1, Indiranagar, Bengaluru,
Karnataka, India 560038
Phone: +91- 80-6845 0000

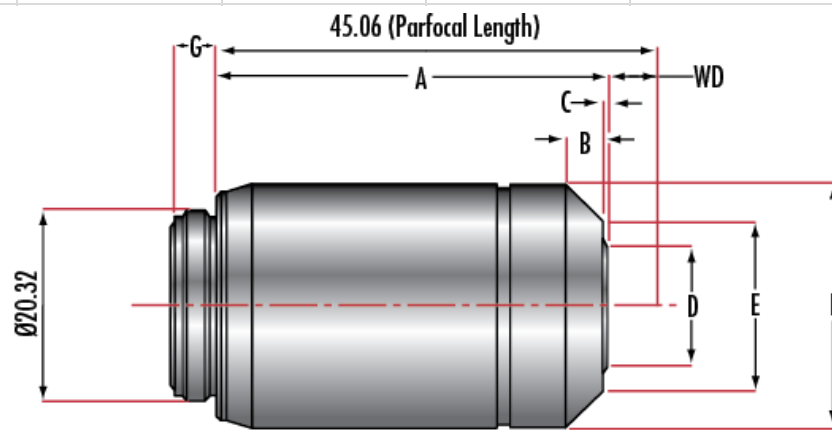
Product Details

- Ideal for Brightfield, DIC, Fluorescence, or Polarization Microscopy
- Long Working Distances Reduce Risk of Specimen Damage
- Excellent Transmission from 400 – 700nm
- Additional [Olympus Infinity Corrected Objectives](#) Available

Olympus MPlan Fluorite Semi Apochromat Infinity Corrected Objectives are ideal for a range of applications utilizing a variety of illumination methods. Olympus MPlan Fluorite Semi Apochromat Infinity Corrected Objectives offer long working distances to increase specimen safety, in addition to increased contrast for observation. These objectives feature standard pupil positions, which enable the use of multiple [prisms](#) or [polarizers](#) for differential interference contrast (DIC) optical microscopy applications.

Technical Information

| Stock # | Model | A | B | C | D | E | F | G | WD |
|---------|--------------|------|------|------|------|------|------|-----|------|
| #88-202 | LMPLFLN 5X | 22.5 | 0.3 | - | 25.4 | - | 26.0 | 4.9 | 22.5 |
| #88-203 | LMPLFLN 10X | 24.0 | 1.9 | - | 15.2 | 22.4 | 26.0 | 4.5 | 21.0 |
| #88-204 | LMPLFLN 20X | 33.0 | 3.7 | - | 17.0 | - | 26.0 | 4.8 | 12.0 |
| #88-205 | LMPLFLN 50X | 34.4 | 4.0 | - | 18.2 | - | 26.0 | 4.9 | 10.6 |
| #88-206 | LMPLFLN 100X | 41.6 | 3.8 | 0.5 | 12.5 | 18.1 | 26.0 | 4.7 | 3.4 |
| #16-880 | MPLFLN 1.25X | 41.5 | - | - | 28.6 | 29.0 | 30 | 4.9 | 3.5 |
| #39-573 | MPLFLN 2.5X | 34.3 | 2.7 | - | 24.5 | 29.0 | 30.0 | 4.9 | 10.7 |
| #88-332 | MPLFLN 5X | 25.0 | 2.5 | - | 20.9 | - | 26.0 | 4.5 | 20.0 |
| #88-333 | MPLFLN 10X | 34.0 | 5.6 | - | 14.5 | - | 26.0 | 4.5 | 11.0 |
| #23-721 | MXPLFLN 20X | 42.0 | 2.63 | 2.15 | 9 | 20.4 | 26 | 4.8 | 3 |
| #23-722 | MXPLFLN 50X | 42.0 | 3.4 | 1.96 | 10.3 | 19 | 26 | 4.5 | 3 |



| Stock # | Model | A | B | C | D | E | F | G | WD |
|---------|-----------------|------|-----|-----|------|------|------|-----|------|
| #86-827 | LMPLFLN-BD 5X | 30.0 | 2.6 | 3.4 | 16.2 | 29.5 | 32.0 | 5.0 | 15.0 |
| #86-828 | LMPLFLN-BD 10X | 35.0 | 2.1 | 2.7 | 15.5 | 30.0 | 32.0 | 4.5 | 10.0 |
| #86-829 | LMPLFLN-BD 20X | 33.0 | 1.2 | 0.5 | 22.0 | 30.0 | 32.0 | 4.5 | 12.0 |
| #86-830 | LMPLFLN-BD 50X | 34.4 | 1.2 | 1.4 | 20.7 | 28.0 | 32.0 | 4.8 | 10.6 |
| #86-831 | LMPLFLN-BD 100X | 41.7 | 1.2 | 4.0 | 21.0 | 29.0 | 32.0 | 4.7 | 3.3 |

