

[See all 41 Products in Family](#)

# Olympus MPLFLN 1.25X Objective

See More by [Olympus](#)



#16-880

Stock **#16-880** **3 In Stock**

MRP ₹4,18,959

**1** Price inclusive of all taxes

**ADD TO CART**

|                |                               |
|----------------|-------------------------------|
| Volume Pricing |                               |
| Qty 1+         | ₹4,18,959 each                |
| Need More?     | <a href="#">Request Quote</a> |

## Product Downloads

### General

|  |                      |
|--|----------------------|
| MPLFLN1.25X  | <b>Model Number:</b> |
| Compatible Tube Lens Focal Length (mm):<br>Focal Length: 180mm |                      |
| Microscope Objective   | <b>Type:</b>         |
| Infinity Corrected   | <b>Style:</b>        |

Olympus **Manufacturer:**

## Physical & Mechanical Properties

28.00 **Diameter (mm):**

17.6 **Field of View (mm):**

41.50 **Length excluding Threads (mm):**

30 **Maximum Diameter (mm):**

122 **Weight (g):**

## Optical Properties

N/A **Compatible Cover Glass Thickness (mm):**

144.00 **Focal Length FL (mm):**

1.25X **Magnification:**

0.04 **Numerical Aperture NA:**

8.39 **Resolving Power ( $\mu\text{m}$ ):**

171.88 **Depth of Field ( $\mu\text{m}$ ):**

3.5 **Working Distance (mm):**

400 - 700 **Wavelength Range (nm):**

22 **Field Number (mm):**

45 **Parfocal Length (mm):**

N/A **Immersion Liquid:**

11.52 **Entrance Pupil Diameter (mm):**

## Threading & Mounting

RMS / 20.32mm x 36 TPI **Mounting Threads:**

## Regulatory Compliance

[View](#) **Certificate of Conformance:**

Japan **Country of Origin:**

**Imported By:**  
Edmund Optics India Private Limited  
267, Greystone Building, Second Floor,  
6th Cross Rd, Binnamangala,  
Stage 1, Indiranagar, Bengaluru,  
Karnataka, India 560038  
Phone: +91-80-6845 0000

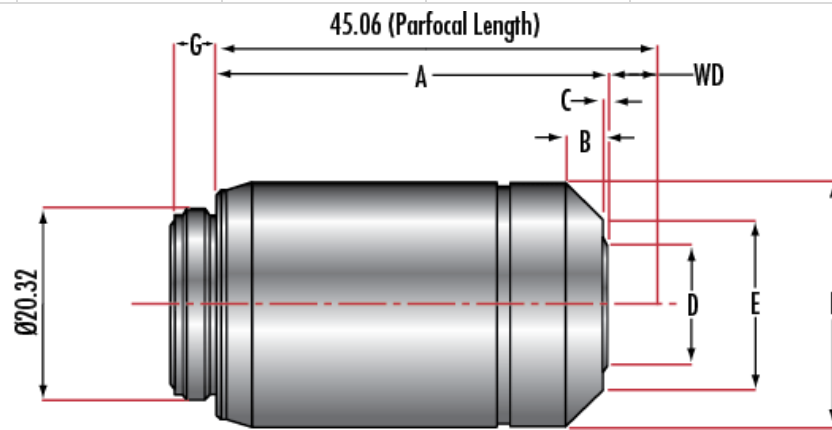
## Product Details

- Ideal for Brightfield, DIC, Fluorescence, or Polarization Microscopy
- Long Working Distances Reduce Risk of Specimen Damage
- Excellent Transmission from 400 – 700nm
- Additional [Olympus Infinity Corrected Objectives](#) Available

Olympus MPlan Fluorite Semi Apochromat Infinity Corrected Objectives are ideal for a range of applications utilizing a variety of illumination methods. Olympus MPlan Fluorite Semi Apochromat Infinity Corrected Objectives offer long working distances to increase specimen safety, in addition to increased contrast for observation. These objectives feature standard pupil positions, which enable the use of multiple [prisms](#) or [polarizers](#) for differential interference contrast (DIC) optical microscopy applications.

## Technical Information

| Stock # | Model                | A    | B    | C    | D    | E    | F    | G   | WD   |
|---------|----------------------|------|------|------|------|------|------|-----|------|
| #88-202 | LMPLFLN 5X           | 22.5 | 0.3  | -    | 25.4 | -    | 26.0 | 4.9 | 22.5 |
| #88-203 | LMPLFLN 10X          | 24.0 | 1.9  | -    | 15.2 | 22.4 | 26.0 | 4.5 | 21.0 |
| #88-204 | LMPLFLN 20X          | 33.0 | 3.7  | -    | 17.0 | -    | 26.0 | 4.8 | 12.0 |
| #88-205 | LMPLFLN 50X          | 34.4 | 4.0  | -    | 18.2 | -    | 26.0 | 4.9 | 10.6 |
| #88-206 | LMPLFLN 100X         | 41.6 | 3.8  | 0.5  | 12.5 | 18.1 | 26.0 | 4.7 | 3.4  |
| #16-880 | MPLFLN 1.25X         | 41.5 | -    | -    | 28.6 | 29.0 | 30   | 4.9 | 3.5  |
| #39-573 | MPLFLN 2.5X          | 34.3 | 2.7  | -    | 24.5 | 29.0 | 30.0 | 4.9 | 10.7 |
| #88-332 | MPLFLN 5X            | 25.0 | 2.5  | -    | 20.9 | -    | 26.0 | 4.5 | 20.0 |
| #88-333 | MPLFLN 10X           | 34.0 | 5.6  | -    | 14.5 | -    | 26.0 | 4.5 | 11.0 |
| #23-721 | M $\times$ PLFLN 20X | 42.0 | 2.63 | 2.15 | 9    | 20.4 | 26   | 4.8 | 3    |
| #23-722 | M $\times$ PLFLN 50X | 42.0 | 3.4  | 1.96 | 10.3 | 19   | 26   | 4.5 | 3    |



| Stock # | Model           | A    | B   | C   | D    | E    | F    | G   | WD   |
|---------|-----------------|------|-----|-----|------|------|------|-----|------|
| #86-827 | LMPLFLN-BD 5X   | 30.0 | 2.6 | 3.4 | 16.2 | 29.5 | 32.0 | 5.0 | 15.0 |
| #86-828 | LMPLFLN-BD 10X  | 35.0 | 2.1 | 2.7 | 15.5 | 30.0 | 32.0 | 4.5 | 10.0 |
| #86-829 | LMPLFLN-BD 20X  | 33.0 | 1.2 | 0.5 | 22.0 | 30.0 | 32.0 | 4.5 | 12.0 |
| #86-830 | LMPLFLN-BD 50X  | 34.4 | 1.2 | 1.4 | 20.7 | 28.0 | 32.0 | 4.8 | 10.6 |
| #86-831 | LMPLFLN-BD 100X | 41.7 | 1.2 | 4.0 | 21.0 | 29.0 | 32.0 | 4.7 | 3.3  |

