

[See all 41 Products in Family](#)

Olympus MPLFLN 10X Objective

See More by [Olympus](#)



Olympus MPlan Fluorite Semi Apochromat Infinity Corrected Objectives

Stock **#88-333** **2 In Stock**

⊖ 1 ⊕ MRP ₹1,51,866

① Price inclusive of all taxes

ADD TO CART

| Volume Pricing | |
|----------------|-------------------------------|
| Qty 1+ | ₹1,51,866 each |
| Need More? | Request Quote |

Product Downloads

General

Model Number:
MPLFLN10X-1-7 (1-U2M523)

Compatible Tube Lens Focal Length (mm):
Focal Length: 180mm

Type:
Microscope Objective

Style:
Infinity Corrected

Olympus **Manufacturer:**

Physical & Mechanical Properties

26.00 **Diameter (mm):**

2.65 **Field of View (mm):**

34.00 **Length excluding Threads (mm):**

26 **Maximum Diameter (mm):**

68.1 **Weight (g):**

Optical Properties

N/A **Compatible Cover Glass Thickness (mm):**

18.00 **Focal Length FL (mm):**

10X **Magnification:**

0.30 **Numerical Aperture NA:**

1.12 **Resolving Power (μm):**

3.06 **Depth of Field (μm):**

11.0 **Working Distance (mm):**

400 - 700 **Wavelength Range (nm):**

26.5 **Field Number (mm):**

45 **Parfocal Length (mm):**

N/A **Immersion Liquid:**

Threading & Mounting

RMS / 20.32mm x 36 TPI **Mounting Threads:**

Regulatory Compliance

[View](#) **Certificate of Conformance:**

China **Country of Origin:**

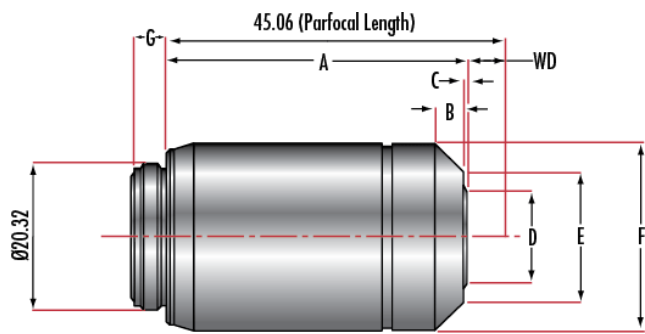
Imported By:
Edmund Optics India Private Limited
267, Greystone Building, Second Floor,
6th Cross Rd, Binnamangala,
Stage 1, Indiranagar, Bengaluru,
Karnataka, India 560038
Phone: +91- 80-6845 0000

Product Details

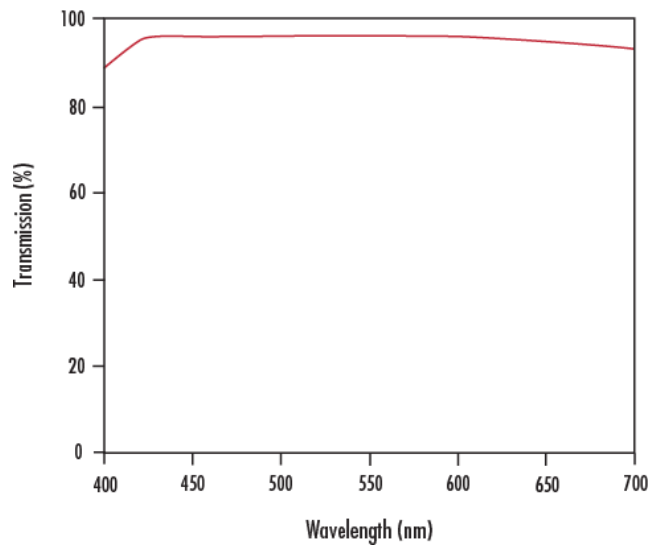
- Ideal for Brightfield, DIC, Fluorescence, or Polarization Microscopy
- Long Working Distances Reduce Risk of Specimen Damage
- Excellent Transmission from 400 – 700nm
- Additional [Olympus Infinity Corrected Objectives](#) Available

Olympus MPlan Fluorite Semi Apochromat Infinity Corrected Objectives are ideal for a range of applications utilizing a variety of illumination methods. Olympus MPlan Fluorite Semi Apochromat Infinity Corrected Objectives offer long working distances to increase specimen safety, in addition to increased contrast for observation. These objectives feature standard pupil positions, which enable the use of multiple [prisms](#) or [polarizers](#) for differential interference contrast (DIC) optical microscopy applications.

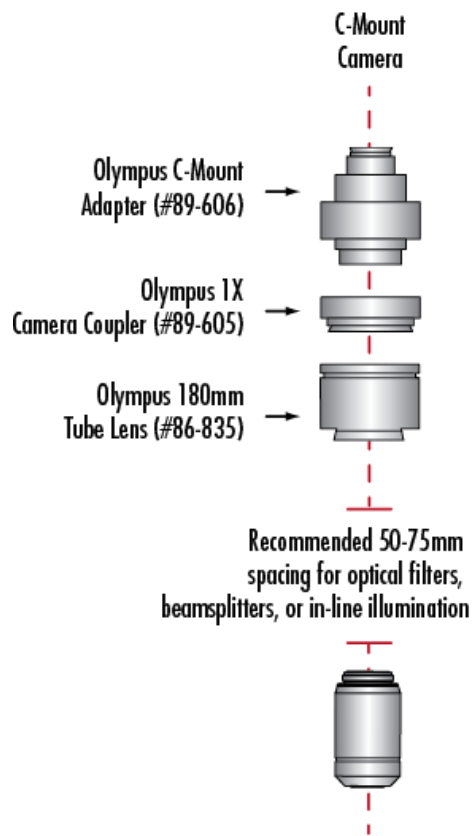
Technical Information



Typical Transmission

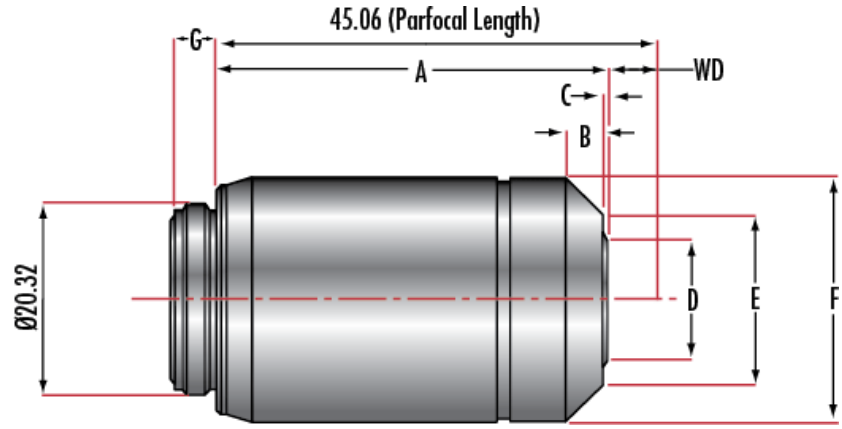


Using Olympus Objectives with C-Mount Cameras



| Stock # | Model | A | B | C | D | E | F | G | WD |
|---------|--------------|------|-----|-----|------|------|------|-----|------|
| #88-202 | LMPLFLN 5X | 22.5 | 0.3 | - | 25.4 | - | 26.0 | 4.9 | 22.5 |
| #88-203 | LMPLFLN 10X | 24.0 | 1.9 | - | 15.2 | 22.4 | 26.0 | 4.5 | 21.0 |
| #88-204 | LMPLFLN 20X | 33.0 | 3.7 | - | 17.0 | - | 26.0 | 4.8 | 12.0 |
| #88-205 | LMPLFLN 50X | 34.4 | 4.0 | - | 18.2 | - | 26.0 | 4.9 | 10.6 |
| #88-206 | LMPLFLN 100X | 41.6 | 3.8 | 0.5 | 12.5 | 18.1 | 26.0 | 4.7 | 3.4 |
| #16-880 | MPLFLN 1.25X | 41.5 | - | - | 28.6 | 29.0 | 30 | 4.9 | 3.5 |
| #39-573 | MPLFLN 2.5X | 34.3 | 2.7 | - | 24.5 | 29.0 | 30.0 | 4.9 | 10.7 |
| #88-332 | MPLFLN 5X | 25.0 | 2.5 | - | 20.9 | - | 26.0 | 4.5 | 20.0 |
| #88-333 | MPLFLN 10X | 34.0 | 5.6 | - | 14.5 | - | 26.0 | 4.5 | 11.0 |

| | | | | | | | | | |
|---------|-------------|------|------|------|------|------|----|-----|---|
| #23-721 | MXPLFLN 20X | 42.0 | 2.63 | 2.15 | 9 | 20.4 | 26 | 4.8 | 3 |
| #23-722 | MXPLFLN 50X | 42.0 | 3.4 | 1.96 | 10.3 | 19 | 26 | 4.5 | 3 |



| Stock # | Model | A | B | C | D | E | F | G | WD |
|---------|-----------------|------|-----|-----|------|------|------|-----|------|
| #86-827 | LMPLFLN-BD 5X | 30.0 | 2.6 | 3.4 | 16.2 | 29.5 | 32.0 | 5.0 | 15.0 |
| #86-828 | LMPLFLN-BD 10X | 35.0 | 2.1 | 2.7 | 15.5 | 30.0 | 32.0 | 4.5 | 10.0 |
| #86-829 | LMPLFLN-BD 20X | 33.0 | 1.2 | 0.5 | 22.0 | 30.0 | 32.0 | 4.5 | 12.0 |
| #86-830 | LMPLFLN-BD 50X | 34.4 | 1.2 | 1.4 | 20.7 | 28.0 | 32.0 | 4.8 | 10.6 |
| #86-831 | LMPLFLN-BD 100X | 41.7 | 1.2 | 4.0 | 21.0 | 29.0 | 32.0 | 4.7 | 3.3 |

