

[See all 10 Products in Family](#)

## Nikon Type F Non-Fluorescing 30ml PCB Free Immersion Oil

See More by [Nikon](#)



Stock #75-384 NEW **1 In Stock**

MRP ₹20,390

Price inclusive of all taxes

ADD TO CART

Volume Pricing	
Qty 1+	₹20,390 each
Need More?	<a href="#">Request Quote</a>

### Product Downloads

### General

Manufacturer: Nikon

### Optical Properties

Index of Refraction ( $n_d$ ): 1.518

Abbe Number ( $v_d$ ): 41

### Environmental & Durability Factors

Operating Temperature (°C): 23

## Regulatory Compliance

Certificate of Conformance:

[View](#)

Japan

Country of Origin:

Imported By:

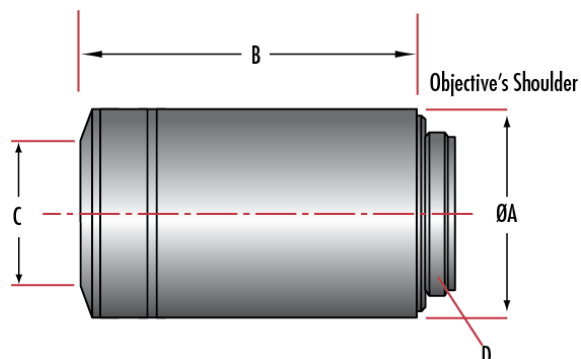
Edmund Optics India Private Limited  
267, Greystone Building, Second Floor,  
6th Cross Rd, Binnamangala,  
Stage 1, Indiranagar, Bengaluru,  
Karnataka, India 560038  
Phone: +91-80-6845 0000

## Product Details

- Superior UV Transmission
- High Numerical Aperture Designs
- Feature Low Auto-Fluorescence Materials

Nikon CFI Super Fluor Objectives are designed to provide superior transmission to ultraviolet applications operating down to 340nm, including for use with fluorochromes indo-1, fura-2, and fluo-3, or for photo-activation of caged compounds. Nikon CFI Super Fluor Objectives are designed using low auto-fluorescence materials along with high numerical apertures to guarantee sharp, bright fluorescence images. These microscope objectives have been optimized for improved signal-to-noise ratios at short wavelengths.

## Technical Information



Dimensions (mm)						
Stock No.	Magnification	Parafocal Length	A	B	C	D
<a href="#">#88-374</a>	4X	60.06	30.0	44.4	19.7	M25 x0
<a href="#">#88-375</a>	10X	60.06	32.0	58.7	8.0	M25 x0
<a href="#">#88-376</a>	20X	60.06	33.5	58.9	9.0	M25 x0
<a href="#">#88-377</a>	40X	60.06	33.0	59.6	7.5	M25 x0