

MT-2 Accessory Tube Lens

See More by [Mitutoyo](#)



MT-2 Accessory Tube Lens, #56-863

Stock **#56-863** **3 In Stock**

1 MRP ₹1,15,758

 Price inclusive of all taxes

ADD TO CART

Volume Pricing

Qty 1+	₹1,15,758 each
Need More?	Request Quote

Product Downloads

General

MT-2 **Model Number:**
Tube Lens **Type:**

Physical & Mechanical Properties

40.00 **Diameter (mm):**
Length (mm):

32.00

Optical Properties

400.00 **Focal Length FL (mm):**

2X **Magnification:**

436 - 656 **Wavelength Range (nm):**

30.00 **Field Number (mm):**

18.00 **Entrance Pupil Diameter (mm):**

Threading & Mounting

three 2.4mm holes **Mounting Threads:**

Regulatory Compliance

[Exempt](#) **RoHS 2015:**

[View](#) **Certificate of Conformance:**

[Contains SVHC\(s\)](#) **REACH 241:**

Japan **Country of Origin:**

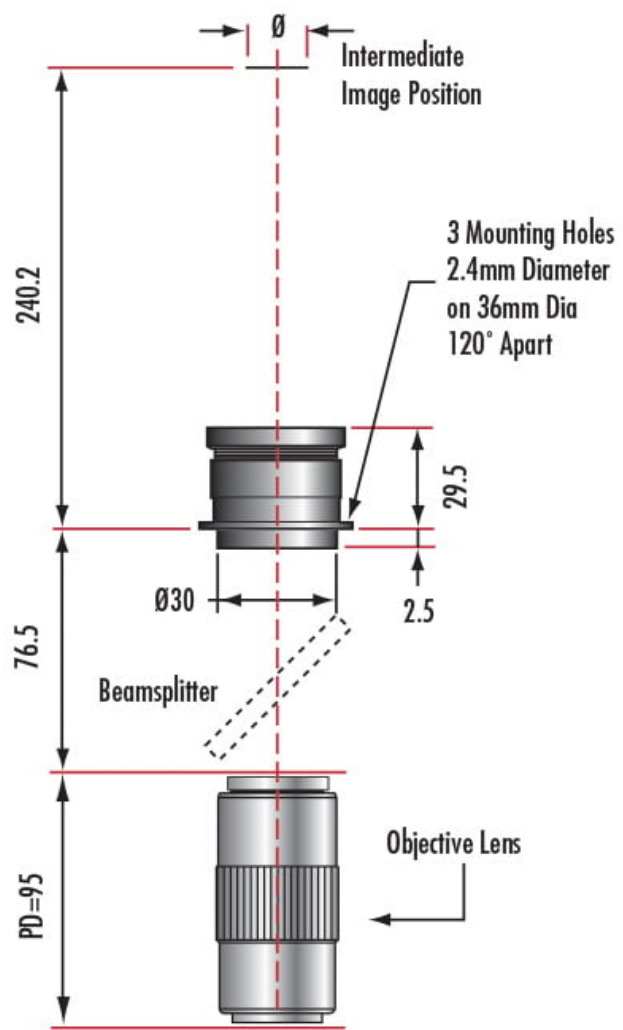
Imported By:
Edmund Optics India Private Limited
267, Greystone Building, Second Floor,
6th Cross Rd, Binnamangala,
Stage 1, Indiranagar, Bengaluru,
Karnataka, India 560038
Phone: +91-80-6845 0000

Product Details

- Creates an Image When Used With a Mitutoyo Objective
- Low Cost Alternative to [Mitutoyo VMU](#) and [FS-70 Microscopes](#)
- [Accessory Adapters](#) Available to Ease Integration with C-Mount Cameras

Mitutoyo Tube Lenses function as secondary lenses to form an image using any of the [Mitutoyo Infinity Corrected Objectives](#). They are economical alternatives to the [FS70 Microscope](#) or [Infinite® In-line Assembly Unit](#). Several options are available, depending upon system requirements. The MT-4 and MT-40 are designed for end-user integration and can easily be used with any C-Mount camera with our Mitutoyo C-Mount Camera Extension Tube [#56-992](#). Mitutoyo Tube Lenses MT-4 Tube Lens is recommended for use with Objectives from 1X to 20X magnification, while the MT-40 is recommended for use with Objectives with >20X magnification. The MT-1 Tube Lens permits the introduction of a beamsplitter to the imaging path, allowing for a custom in-line illumination system. The MT-2 Tube Lens is similar to the MT-1 but with an effective focal length of 400mm, providing twice the stated magnification for any of the Mitutoyo objectives. The MT-L and MT-L4 lenses are designed for the [M Plan NUV](#) and [M Plan UV](#) series of objectives, respectively. [NIRandzoom tube lenses](#) are also available through our line of Precision Zoom Lenses.

Technical Information



MT-2 #56-863

