

[See all 3 Products in Family](#)

**TECHSPEC® M26/C-Mount Turret**



C-Mount Manual Objective Turrets

Stock **#19-534** **6 In Stock**

1 MRP ₹90,801

Price inclusive of all taxes

**ADD TO CART**

| Volume Pricing |                               |
|----------------|-------------------------------|
| Qty 1-2        | ₹90,801 each                  |
| Qty 3+         | ₹86,291 each                  |
| Need More?     | <a href="#">Request Quote</a> |

Product Downloads

**Threading & Mounting**

Thread Type:

C-Mount  
Objective: (4) M26 x0.706

**Regulatory Compliance**

RoHS 2015:

[Compliant](#)

Certificate of Conformance:

REACH 241:

Compliant

Country of Origin:

Japan

Imported By:

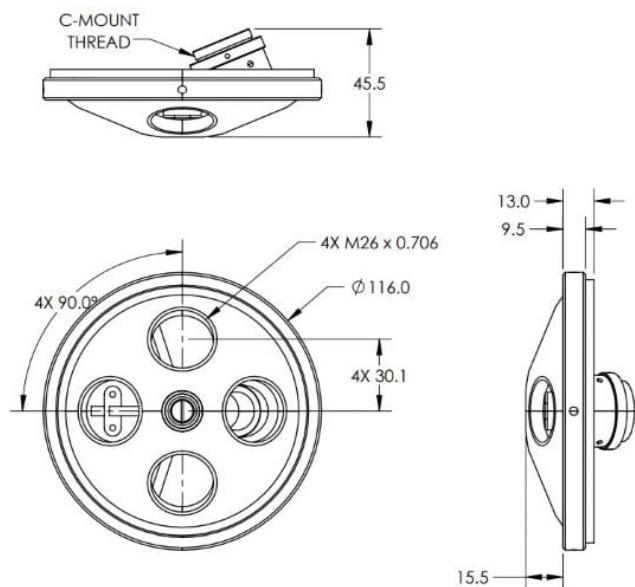
Edmund Optics India Private Limited  
267, Greystone Building, Second Floor,  
6th Cross Rd, Binnamangala,  
Stage 1, Indiranagar, Bengaluru,  
Karnataka, India 560038  
Phone: +91- 80-6845 0000

## Product Details

- C-Mount Tube System Compatibility for Creating Modular Microscope System
- Four Objective Positions
- [Mitutoyo](#) and [Nikon](#) Objective Compatibility

C-Mount Manual Objective Turrets are ideal for creating modular microscope systems using standard [C-Mount Tube System Components](#). Edmund Optics' broad range of C-mount Tube System Components offers maximum versatility when designing a microscope system, with direct C-Mount camera compatibility for imaging integration. With additional accessories, these objective turrets can be adapted to [S-Mount](#), [T-Mount](#), [ID1 \(SM1\)](#), and [Multi-Element Tube Systems](#), expanding their potential uses. C-Mount Manual Objective Turrets are offered with M26 x 0.706 threads for [Mitutoyo Objectives](#) and M25 x 0.75 threads for [Nikon Objectives](#). Each turret has four objective positions to maximize imaging system flexibility.

## Technical Information



#19-534