

[See all 9 Products in Family](#)

TECHSPEC® Lens Mounting Clamp for 100mm SWIR Series Lens



#89-995: Lens Mounting Clamp for 100mm SWIR Series Lens

Stock **#89-995** [CONTACT US](#)

⊖ 1 ⊕ MRP ₹33,605

● Price inclusive of all taxes

ADD TO CART

Volume Pricing	
Qty 1+	₹33,605 each
Need More?	Request Quote

Product Downloads

General

Lens Accessory **Type:**

Physical & Mechanical Properties

84.0 **Inner Diameter (mm):**

Regulatory Compliance

Certificate of Conformance:

Country of Origin:

United States

Imported By:

Edmund Optics India Private Limited
 267, Greystone Building, Second Floor,
 6th Cross Rd, Binnamangala,
 Stage 1, Indiranagar, Bengaluru,
 Karnataka, India 560038
 Phone: +91- 80-6845 0000

Product Details

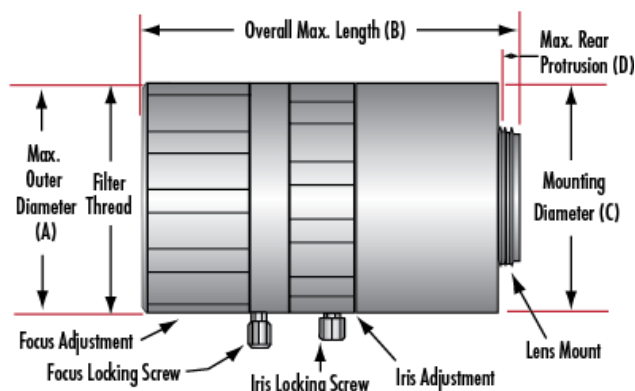
- 4/3", C-Mount, M42, F-Mount Lens
- Up to 3 MegaPixels, 10µm Pixel Size Sensors
- Designed and Optimized for SWIR (900-1700nm) InGaAs Sensors
- 25mm to 100mm Focal Length

TECHSPEC® SWIR Series Fixed Focal Length Imaging Lenses are compact, lightweight lenses designed for applications operating in the short-wave infrared (SWIR) spectra, ranging from 0.9 – 1.7µm. These lenses feature SWIR-optimized optical designs, glass types, and AR coatings from 0.8 – 1.8µm. Designed for high throughput and superior performance, the SWIR Series lenses are commercial-off-the shelf (COTS) lenses with low $f/\#$'s, covering large 25mm sensors. TECHSPEC® SWIR Series Fixed Focal Length Lenses are ideal for a [range of applications](#) including inspection, sorting, and quality control. There are focal lengths ranging from 25 to 100mm available for purchase.

Technical Information

Stock No. (Focal Length, Mount)	A	B	C	D	Filter Thread
#83-160 (25mm, C-Mount)	40mm	63.5mm	40mm	7.62mm	M34 x 0.5
#83-165 (50mm, C-Mount)	56mm	112mm	55mm	0mm	M43 x 0.75
#83-166 (50mm, F-Mount)	56mm	103mm	55mm	28mm	M43 x 0.75
#83-167 (50mm, M42 x 1.0)	56mm	124mm	55mm	0mm	M43 x 0.75
#83-170 (100mm, C-Mount)	84mm	180.1mm	84mm	0mm	M72 x 0.75
#83-171 (100mm, F-Mount)	84mm	151.1mm	84mm	0mm	M72 x 0.75
#83-172 (100mm, M42 x 1.0)	84mm	191.8mm	84mm	0mm	M72 x 0.75

SWIR Imaging Lenses



50mm F-Mount SWIR Lens

