

Intensity Adjustment Dimmer for Efflux LED Lights



Stock #75-337 [CONTACT US](#)

1 MRP ₹22,985

● Price inclusive of all taxes

ADD TO CART

Volume Pricing	
Qty 1+	₹22,985 each
Need More?	Request Quote

Product Downloads

General

EFFI-DIMMER2

Model Number:

Accessory

Type:

Note:
Provides intensity adjustment for every Efflux light using M12/M12P connectors

Manufacturer:

Hardware & Interface Connectivity

24 **Input Voltage (V):**

0-5 or 0-24 **Output Voltage (V):**

Input/Output Options:
Input: One M12 Male Output: Two M12 Female
(multimode or dimming options)

Regulatory Compliance

[View](#) **Certificate of Conformance:**

France **Country of Origin:**

Imported By:
Edmund Optics India Private Limited
267, Greystone Building, Second Floor,
6th Cross Rd, Binnamangala,
Stage 1, Indiranagar, Bengaluru,
Karnataka, India 560038
Phone: +91- 80-6845 0000

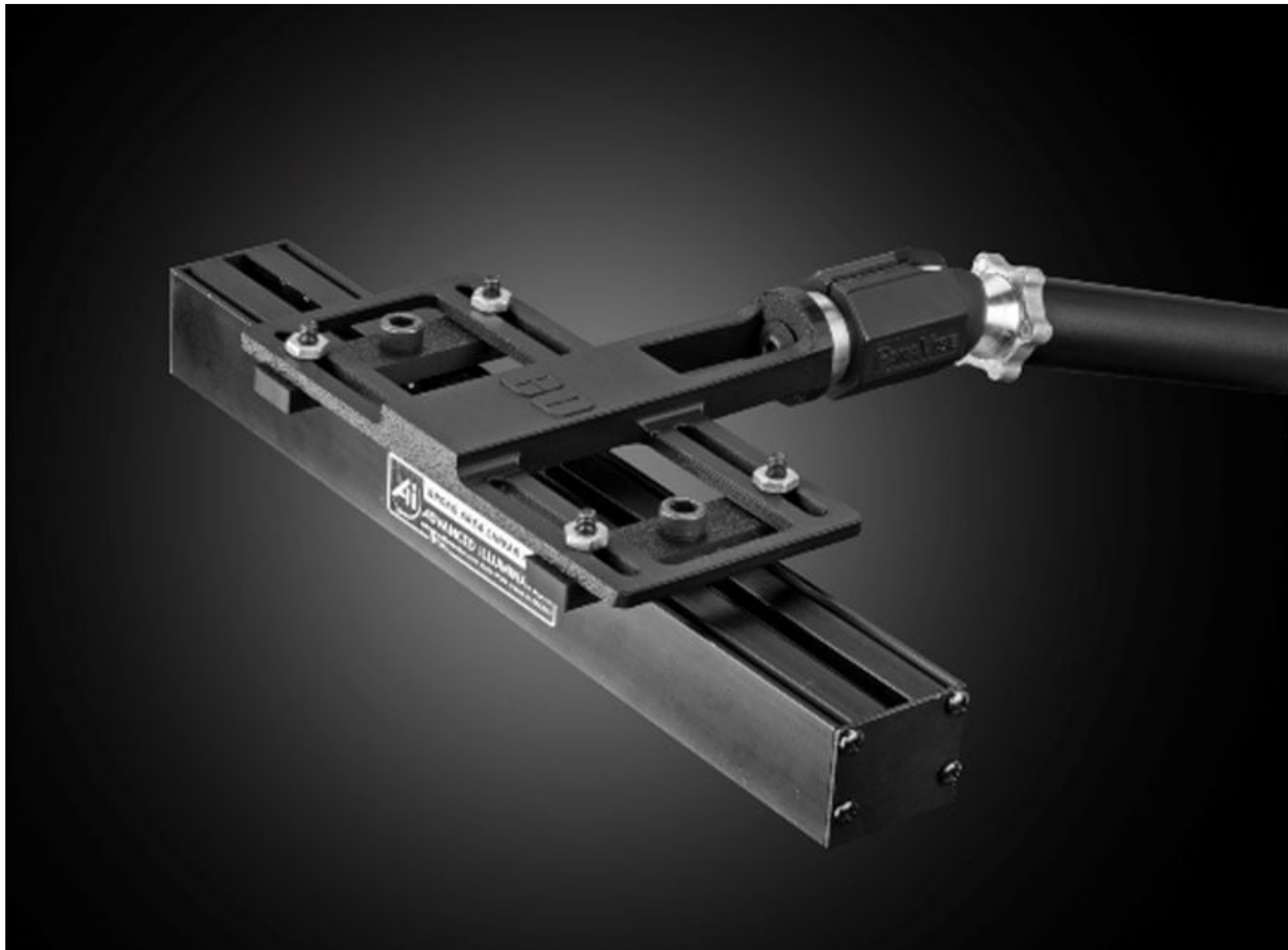
Product Details

- Direct Access to Optics for Quick, Manual Adjustment of Illumination Cone Angles
- Included Interchangeable Windows Allows for Easy Adjustment of Light Diffusion
- Easy to Integrate Linescan Accessory for Linear or Darkfield Lighting

Effilux Adjustable LED Bar Lights provide versatility by allowing the emission angle of the light to be modified by the user. Various illumination emission angles can be modified by simply removing the LED window that's held in place by screws to access the lens array and adjust the lens array height to one of the three indicated positions. Effilux Adjustable LED Bar Lights include three interchangeable windows: transparent, semi-diffuse, and opaline. By placing the optional polarizer or linescan accessories beneath the transparent window, glare can be eliminated or linear lighting created. The flexibility and ease of user modifications for these bar lights make them ideal for use in many application types.

Note: 24V power supply and M12 female to male cable are required. When first powered, these lights start in their Overdriven state with 700% intensity then relax to normal intensity.

3D-Printable Mount Files



Bar or Line Light Configuration

[Download Now](#)

Designed for use with the [Articulating Arm Mounting Systems](#), these 3D-printed mounts allow easy positioning of lights in brightfield or darkfield setups. The design is based on mounting illumination to ¼-20" breadboards or into 80/20 extrusion systems, but can be adapted based on user needs. Mounts are available for ring, bar, line, and inline spot lights.



Application Note

Illumination Mounts for Machine Vision Applications

[Read](#) 



Video

Assembly of 3D Printed Mounts for Common Illumination Geometries

[Watch](#) 
