

[See all 22 Products in Family](#)

InfiniProbe TS-160 PRO with Macro PRO Objective

See More by [Infinity Photo-Optical Company](#)



InfiniProbe TS-160, #34-715



Stock **#16-088** **1 In Stock**

MRP ₹4,38,075

Price inclusive of all taxes

ADD TO CART

| Volume Pricing | |
|----------------|-------------------------------|
| Qty 1+ | ₹4,38,075 each |
| Need More? | Request Quote |

Product Downloads

General

Note:
Micro HMOBJECTIVE (#16-114) Sold Separately

Type:
Long Distance Microscope

Physical & Mechanical Properties

Optical Properties

Primary Magnification PMAG:

Varies based on objective attachment

Threading & Mounting

M42 x 0.75 (T-Mount)

Mount:

Regulatory Compliance

Compliant

RoHS 2015:

Compliant

Reach 224:

View

Certificate of Conformance:

Country of Origin:

United States

Imported By:

Edmund Optics India Private Limited
267, Greystone Building, Second Floor,
6th Cross Rd, Binnamangala,
Stage 1, Indiranagar, Bengaluru,
Karnataka, India 560038
Phone: +91-80-6845 0000

Product Details

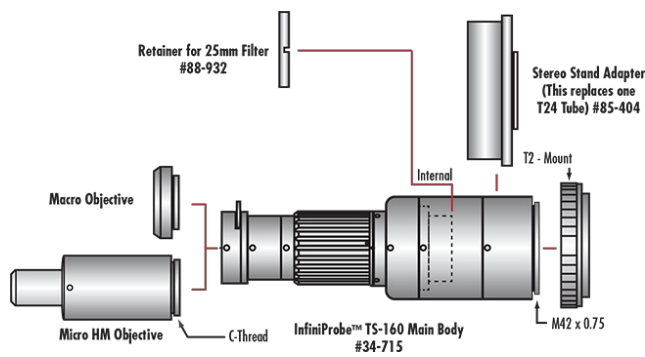
- High Resolution Design for up to 35mm Sensors
- 0X–4X Macro and 4X–16X Micro Configurations
- Internally Focuses from 18mm to Infinity

The InfinitiProbe™ TS-160 Universal Macro/Micro System is a universal lens system that redefines on-the-go adaptability. The InfinitiProbe™ TS-160 Universal Macro/Micro System is designed to transform almost any machine vision, scientific-grade, or DSLR camera into an ultra-portable, continuously-focusable microscope that is ideal for forensic, industrial, or biological applications such as entomological microscopy. Additionally, the TS-160 is optimized for up to 35mm sensors and is compatible with CS, C, T, and F-mount cameras. To maximize adaptability, the TS-160 can internally focus from 18mm to infinity and internally accept any 25mm filter. When not being used in the field, the TS-160 can be mounted to stands or fixtures for use in the lab. InfinitiLight™ adapters are available for mounting popular brand-name flash units directly onto the TS-160.

Note: InfinitiProbe TS-160 includes a macro objective. Micro HM Objective (#16-114) sold separately.

The InfinitiProbe™ TS-160 Universal Macro/Micro System also features an integrated adjustable iris diaphragm to provide depth of field and aperture control. Similar to the iris in a microscope's condenser, the TS-160's variable iris also allows for user control of contrast. After focusing, the variable iris is used to set the point in which contrast and resolution appear best matched. To control depth of field, adjust the distance between the lens and the object.

Technical Information



Objective Magnification (all cover 35mm Sensor)

| Macro (One T24 Tube) | | | Micro (One T24 Tube) | | |
|----------------------|---------------|-----------|----------------------|---------------|-----------|
| WD (mm) | Magnification | FOV (mm)* | WD (mm) | Magnification | FOV (mm)* |
| 32 | 4.00X | 9.0 | 18 | 16.00X | 2.25 |
| 66 | 2.00X | 18.0 | 22 | 8.00X | 4.5 |
| 139 | 1.00X | 36.0 | 28 | 4.00X | 9.0 |
| 284 | 0.50X | 72.0 | 48 | 2.00X | 18.0 |
| 600 | 0.24X | 150 | 85 | 1.00X | 36.0 |
| 1000 | 0.15X | 240 | 155 | 0.50X | 72.0 |

| | | | | | |
|------|-------|-----|------|-------|------|
| 2000 | 0.07X | 514 | 300 | 0.25X | 144 |
| 3000 | 0.05X | 720 | 600 | 0.12X | 300 |
| | | | 1000 | 0.07X | 514 |
| | | | 2000 | 0.04X | 900 |
| | | | 3000 | 0.02X | 1800 |

*FOV based on 35mm format (36mm horizontally). For formats other than 35mm: Divide magnification into the sensor's horizontal dimension. For example, 17.3mm x 13mm Sensor: 17.3mm/4x = 4.3mm & 13mm/4x = 3.3mm FOV.

