

Industrial DIN Mountable Intensity Adjustment

See More by [Advanced Illumination](#)



#89-555

Stock **#89-555** **5 In Stock**

1 MRP ₹15,293

1 Price inclusive of all taxes

ADD TO CART

Volume Pricing

Qty 1+	₹15,293 each
Need More?	Request Quote

Product Downloads

General

DCS-MP **Model Number:**

Accessory **Type of Illumination:**

Note:
This product is a potentiometer and may not provide the appropriate level of intensity control for low current (<200 mA) LED lights. |Requires #20-175, #20-171 or #19-970 for Power

Regulatory Compliance

Compliant

RoHS 2015:

View

Certificate of Conformance:

Compliant

Reach 233:

United States

Country of Origin:

Imported By:

Edmund Optics India Private Limited
 267, Greystone Building, Second Floor,
 6th Cross Rd, Binnamangala,
 Stage 1, Indiranagar, Bengaluru,
 Karnataka, India 560038
 Phone: +91- 80-6845 0000

Product Details

- Detented, 30 Position Potentiometer for Manual Intensity Adjustment
- Built In DIN-Rail Mounting Feature
- Flip Up Cover to Prevent Accidental Adjustments
- Requires [24V Power Supply \(#66-855\)](#) for Use

Note: Potentiometer may not provide appropriate level of intensity for low current lights.

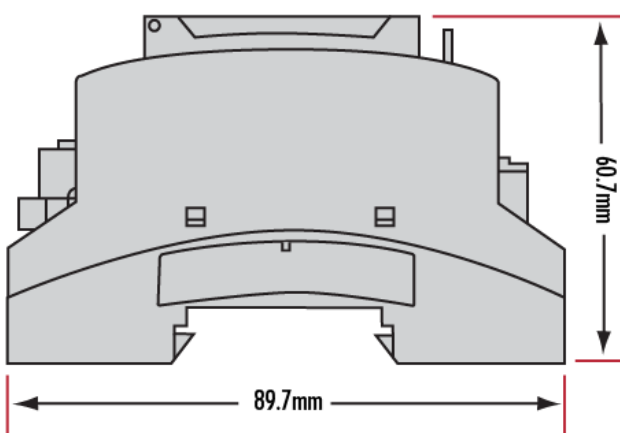
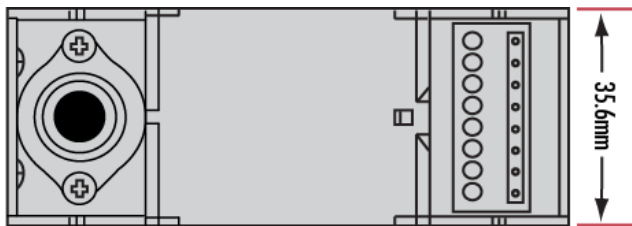
- IP69K Certified for Extreme Washdown Environments
- Stainless Steel Housing
- High Intensity Output up to 70,200 Lux
- Optional Manual Intensity Adjustments ([#86-887](#) and [#89-555](#)) Recommended

Advanced Illumination UltraSeal Washdown Bar Lights offer intense, direct illumination up to 70,200 Lux while providing maximum protection in extreme environmental conditions. These IP69K certified Bar Lights were designed with a crevice-free design to withstand high temperature wash-down procedures and material buildup. The 316 stainless steel is FDA compliant, making them a suitable option for food or pharmaceutical inspection environments.

Advanced Illumination UltraSeal Washdown Bar Lights are ideal for hygienic and aseptic manufacturing applications, such as prolonged liquid immersion and high-pressure steam cleaning common in food and beverage inspection and processing.

Note: Requires 24V power supply [#66-855](#). Manual Intensity Adjustment [#86-887](#) and [#89-555](#) are recommended and sold separately.

Technical Information



#89-555