

[See all 6 Products in Family](#)

English Type, Large Size, Right Angle Bracket



Stock #55-378 [CONTACT US](#)

⊖ 1 ⊕ MRP ₹12,107

● Price inclusive of all taxes

ADD TO CART

Volume Pricing

Qty 1+	₹12,107 each
Need More?	Request Quote

Product Downloads

General

English **Type:**

Threading & Mounting

Mounting Threads:
(27) 1/4-20, (4) 1/4 S.H.C.S. Slots, (1) 1/4 S.H.C.S. C'bore

Regulatory Compliance

RoHS 2015:

Compliant

Certificate of Conformance:

View

Reach 250:

Compliant

Country of Origin:

China

Imported By:

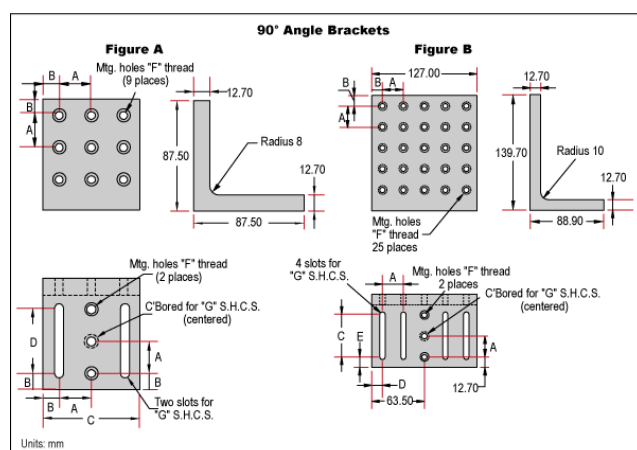
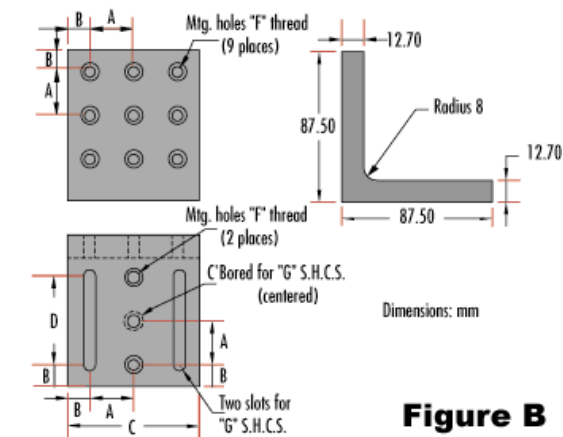
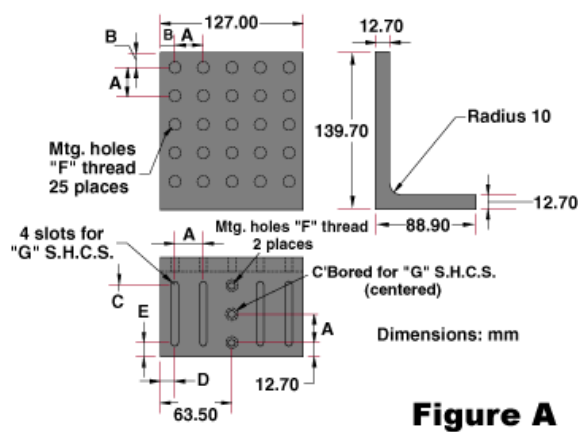
Edmund Optics India Private Limited
267, Greystone Building, Second Floor,
6th Cross Rd, Binnamangala,
Stage 1, Indiranagar, Bengaluru,
Karnataka, India 560038
Phone: +91- 80-6845 0000

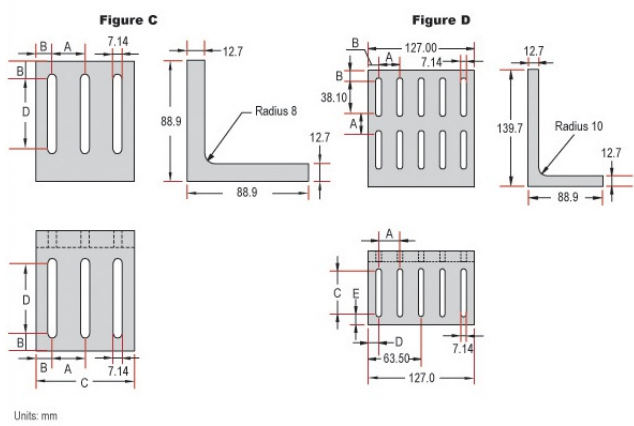
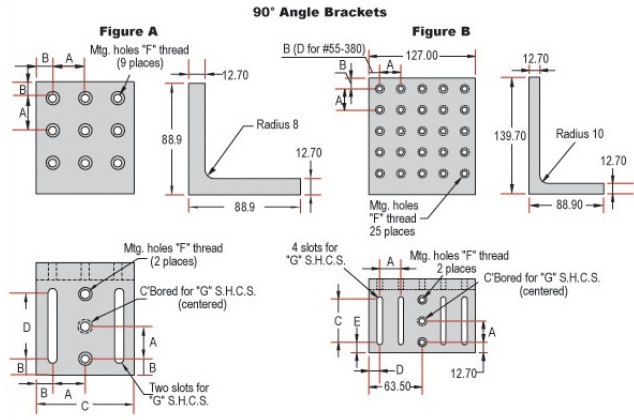
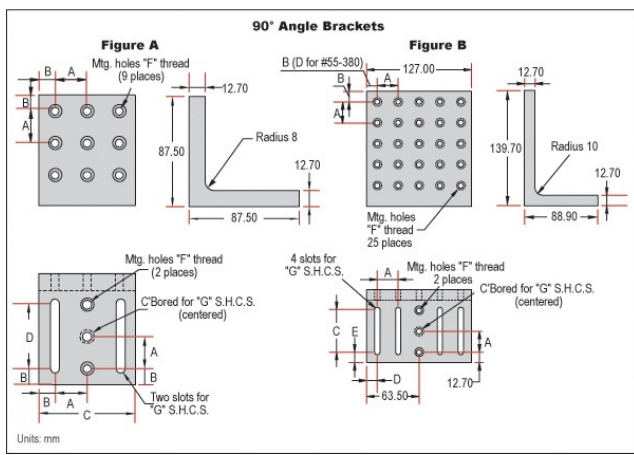
Product Details

- Metric, English and Common Slotted Versions
- Standard 1/4-20 or M6 x 1.0 Holes/Slots or All Slots
- Large and Small Sizes
- Black Anodized Aluminum Construction

90° Angle Brackets are adapter plates that enable the mounting of rotary or translation stages, optic mounts, and other positioning equipment at 90° to the breadboard, bench plate, or lab table work surface. Brackets accommodate either 1/4 or M6 mounting connections, depending on the model selected. 90° Angle Brackets are available in Metric, English Standard, and Common Slotted versions. Common bracket types have only slots (no threaded holes) for both English and Metric platform integration. Small size has three 2" long slots on both faces. Large size has five 2" long slots on base and ten 1 1/2" long slots on the larger mounting face (5 rows with 1" gap at center). See the illustrations under the "Technical Information" tab for this product for additional specifications.

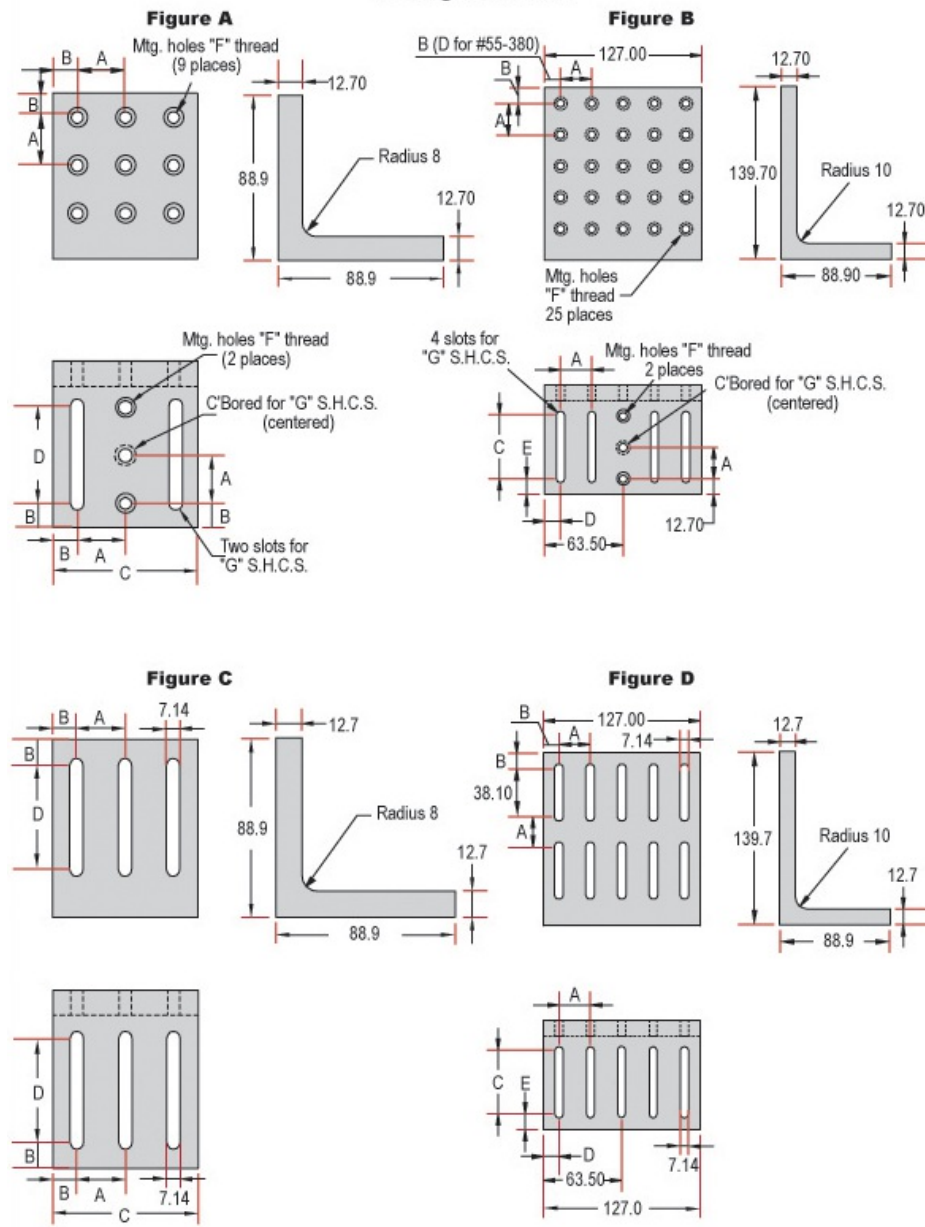
Technical Information





Type	A	B	C	D	E	Mounting Hole F	Mounting Hole G	Stock No.
English, Figure A	1"	½"	3"	2"	-	¼-20	¼	#55-379
Metric, Figure A	25mm	12.5mm	75mm	51mm		M6 x 1.0	M6	#55-381
English, Figure B	1"	½"	2"	½"	½"	¼-20	¼	#55-378
Metric, Figure B	25mm	12.5mm	57mm	13.5mm	6mm	M6 x 1.0	M6	#55-380
Common, Figure C	1"	½"	3"	2"	-	N/A		#58-180
Common, Figure D			2"	½"	½"			#58-181

90° Angle Brackets



Units: mm