

[See all 76 Products in Family](#)

TECHSPEC® C-Mount to NF-Mount Adapter



#89-945

Stock **#89-945** [CONTACT US](#)

- 1 + MRP ₹3,691

Price inclusive of all taxes

ADD TO CART

Volume Pricing

| | |
|------------|-------------------------------|
| Qty 1+ | ₹3,691 each |
| Need More? | Request Quote |

Product Downloads

General

Lens Accessory **Type:**

Physical & Mechanical Properties

28.00 **Outer Diameter (mm):**

5.50 **Thickness (mm):**

Optical Properties

425 - 675nm BBAR

Coating:

Threading & Mounting

M17 x 0.75

Mounting Threads:

Regulatory Compliance

Compliant

RoHS 2015:

View

Certificate of Conformance:

Compliant

REACH 241:

China

Country of Origin:

Imported By:

Edmund Optics India Private Limited
267, Greystone Building, Second Floor,
6th Cross Rd, Binnamangala,
Stage 1, Indiranagar, Bengaluru,
Karnataka, India 560038
Phone: +91- 80-6845 0000

Product Details

Converts C-mount lens to NF-Mount

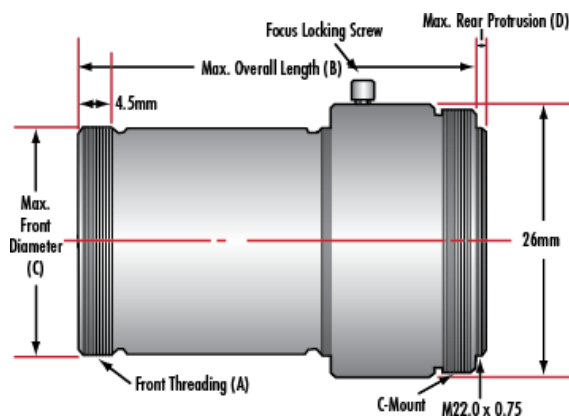
- Up to 2/3", C-Mount Lens
- Up to 7.5 MegaPixels, 2.8µm Pixel Size Sensors
- Instrumentation (Ci) Versions of our C Series Lenses with Streamlined Mechanical Designs and Fixed Apertures
- 3.5mm to 50mm Focal Length
- **Ruggedized (Cr) Designs** Also Available

TECHSPEC® Ci Series Fixed Focal Length Lenses are a streamlined version of our C Series Fixed Focal Length Lenses. They feature the same low lens-to-lens variation and broadband anti-reflection (BBAR) coating for maximum light transmission, while offering reduced weight and size. An adjustable, lockable focus allows for setting and locking the best focus position for instrumentation integration. TECHSPEC® Ci Series Fixed Focal Length Lenses are designed specifically for volume integration into applications such as factory inspection and automation to benchtop biomedical devices. The Ci Series offers a wide range of aperture options, ensuring maximum flexibility of resolution, throughput, and depth of field.

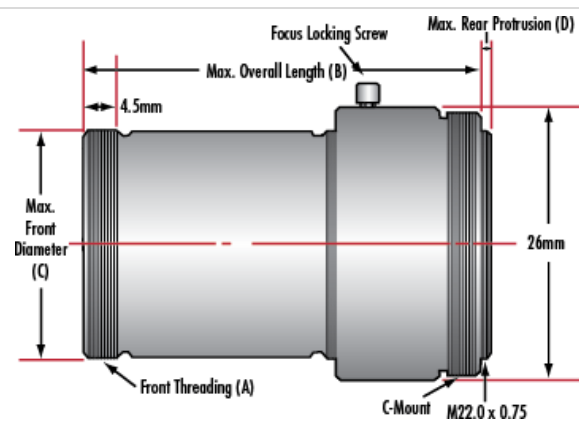
Edmund Optics has created a family of high performance optical designs (the C Series family) and developed 6 customized optomechanical solutions targeted for specific applications. These lens sub-families utilize the same optics as the C Series lenses providing the same optical performance in a variety of optomechanical solutions to meet your application requirements:

- **C Series:** Features locking cam focus and iris adjustment and is the most adjustable version of these optical designs; they are the typical high quality machine vision lenses. Also available with a **VIS-NIR Broadband Anti-Reflection (BBAR) Coating**.
- **Ci Series:** Simplified mechanics featuring fixed apertures with compact housing. **Industrial Ruggedization** for reduced size, cost, and locked focus.
- **Cr Series:** All optics glued in place and a locking C-clamp focus ring. **Stabilized Ruggedization** for reduced pixel shift and improved focus stability.
- **Cx Series:** Modular, flexible mechanics allows lenses to be taken apart for easy integration of accessories such as liquid lenses, apertures, and more.
- **Liquid Lens Cx Series:** Designed with an integrated liquid lens for quick autofocus.
- **Cw Series:** Waterproof, designed to meet IEC **Ingress Protection** Code IPX7 and IPX9K.

Technical Information



| Focal Length | A | B | C | D |
|--------------|--------------|--------|--------|--------|
| 6mm | M34.0 x 0.5 | 47.8mm | 34mm | 1.17mm |
| 12mm | M22.0 x 0.75 | 29.0mm | 22mm | 0.96mm |
| 16mm | M22.0 x 0.75 | 40.8mm | 22mm | 1.09mm |
| 25mm | M22.0 x 0.75 | 29.9mm | 22mm | 1.33mm |
| 35mm | M25.5 x 0.5 | 41mm | 22.5mm | 3.82mm |
| 50mm | M30.5 x 0.5 | 49.5mm | 30.5mm | 2.06mm |



;