

TECHSPEC® 21mm Diameter, C-Mount Thin Optic Mount



Stock #53-860 **20+ In Stock**

- 1 + MRP ₹6,003

● Price inclusive of all taxes

ADD TO CART

Volume Pricing	
Qty 1-4	₹6,003 each
Qty 5-9	₹5,306 each
Qty 10-25	₹4,934 each
Need More?	Request Quote

Product Downloads

General

Optic Mount (Fixed) **Function:**

Circular **Type of Optics:**

Physical & Mechanical Properties

5.6	Extension Length (mm):
9.6	Total Length (mm):
1.0	Min. Thickness of Compatible Optics (mm):
3.0	Max. Thickness of Compatible Optics (mm):
18.0	Clear Aperture CA (mm):
Black Anodized Aluminum (6061 T6)	Construction:
30.0	Outer Diameter (mm):
21.0	Diameter of Compatible Reticle (mm):
3.0	Thickness of Compatible Reticle (mm):

Threading & Mounting

C-Mount	Thread Type:
21.0	Diameter of Compatible Optics (mm):

Regulatory Compliance

Compliant	RoHS 2015:
View	Certificate of Conformance:
Compliant	Reach 250:
United States	Country of Origin:
Edmund Optics India Private Limited 267, Greystone Building, Second Floor, 6th Cross Rd, Binnamangala, Stage 1, Indiranagar, Bengaluru, Karnataka, India 560038 Phone: +91- 80-6845 0000	Imported By:

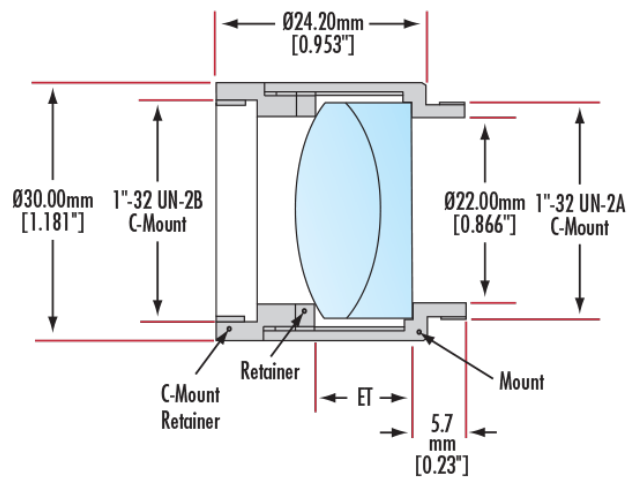
Product Details

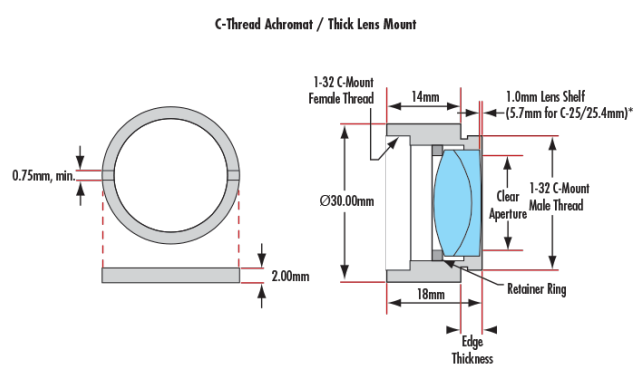
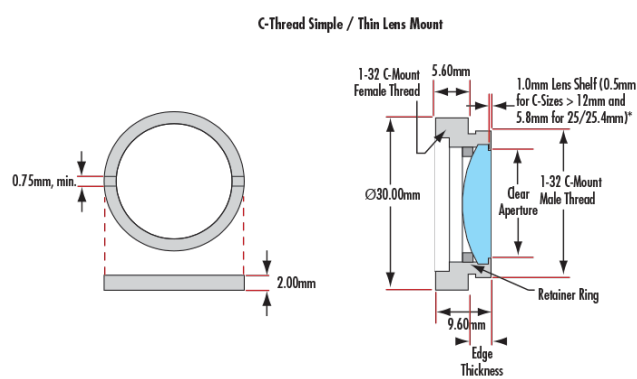
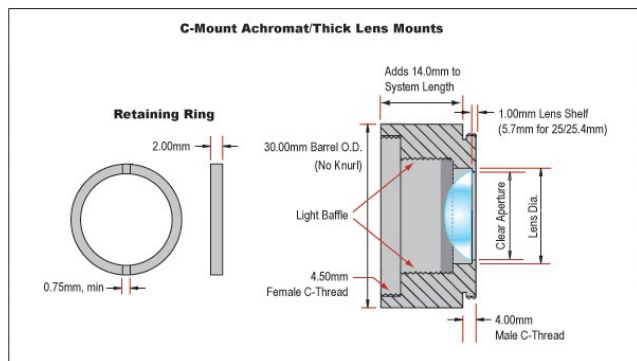
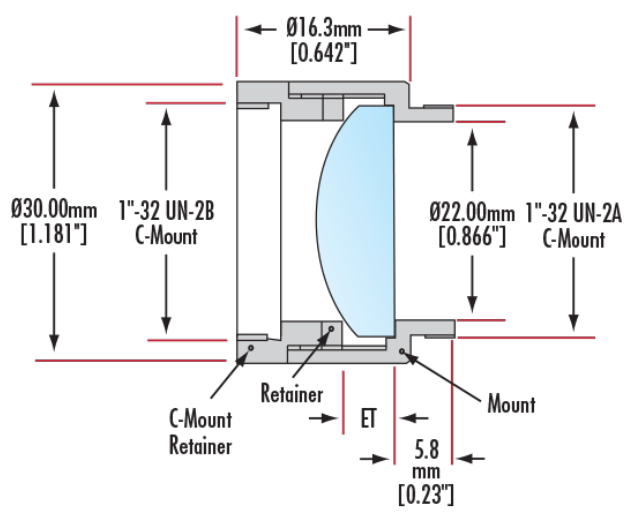
- Mounts for Simple Lenses, Achromats, Filters, or Reticles
- Designed to Integrate with Any C, S, or T-Mount Components
- Optic is Held in Place with Included Retaining Ring

TECHSPEC® C, S, and T-Mount Circular Optic Mounts are designed to mount a variety of circular optical components into C, S, or T-Mount compatible systems. An included threaded retainer ring, designed to accept a standard spanner wrench, securely holds the optical component. These circular optic mounts are compatible with a wide variety of Edmund Optics optomechanical components utilizing C, S, or T-Mount threads, such as [extension tubes](#) and [kinematic mounts](#). TECHSPEC® C, S, and T-Mount Circular Optic Mounts are threaded for 1" x 32TPI, M12 x 0.5, or M42 x 0.75 mounting, with 30mm, 16mm, and 48mm outer diameters, respectively. These mounts are ideal for creating and personalization of a diverse range of optical systems.

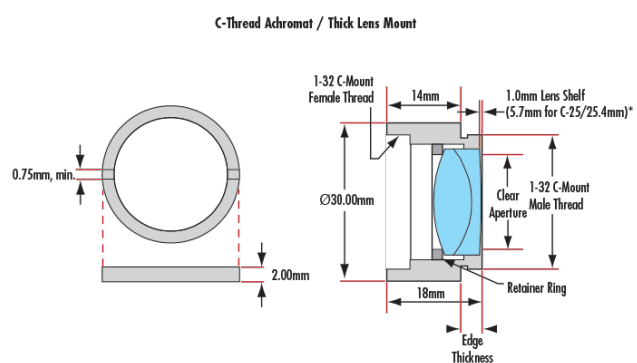
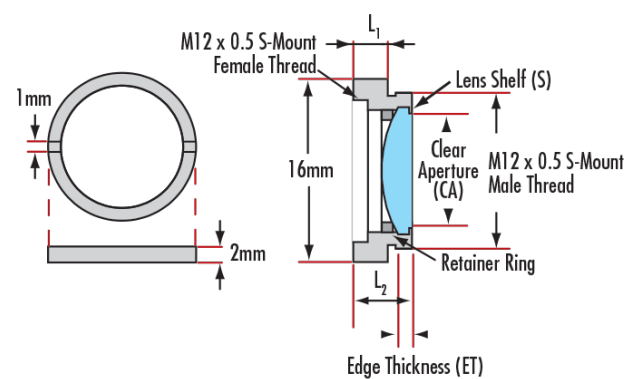
Note: #56-353, #56-354, #52-933, and #52-292 are all 3-part assemblies

Technical Information

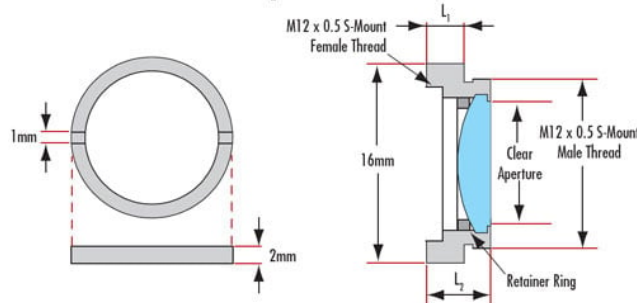




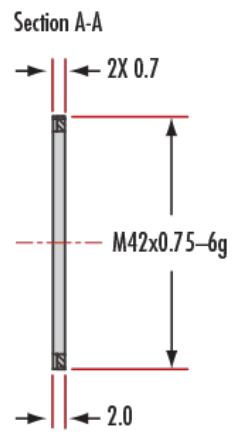
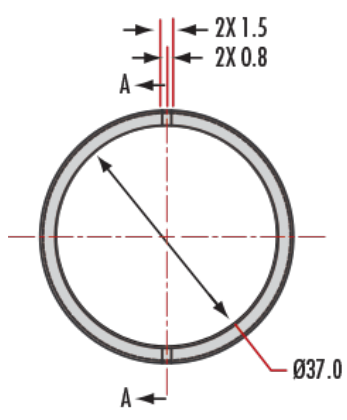
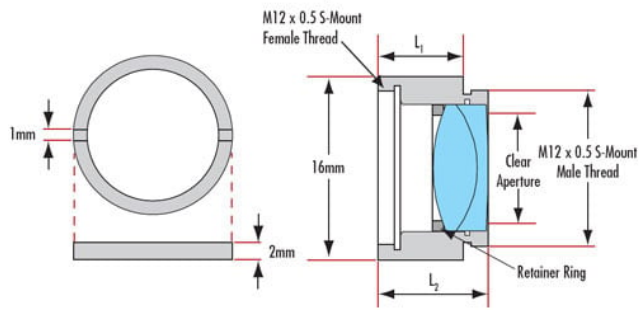
S-Thread Simple / Thin Lens Mount



S-Thread Simple /Thin Lens Mount



S-Thread Achromat / Thick Lens Mount



#58-741