

C-Mount Light Guide Mounting Adapter



Light Guide Mounting Adapter



Stock #53-047 **11 In Stock**

- 1 + MRP ₹4,062

Price inclusive of all taxes

ADD TO CART

Volume Pricing	
Qty 1-4	₹4,062 each
Qty 5+	₹3,621 each
Need More?	Request Quote

Product Downloads

General

Fiber Light Guide **Type of Optics:**

Tube Mount **Type:**

Accessory **Type of Illumination:**

Accessory (Optional) **Note:**

Optic Mount (Fixed) **Function:**

Physical & Mechanical Properties

25.4 **Inner Diameter (mm):**

19.25 **Total Length (mm):**

29.85 **Outer Diameter (mm):**

15.0 **Extension Length (mm):**

Threading & Mounting

C-Mount **Thread Type:**

Regulatory Compliance

Compliant **RoHS 2015:**

View **Certificate of Conformance:**

Compliant **Reach 251:**

United States **Country of Origin:**

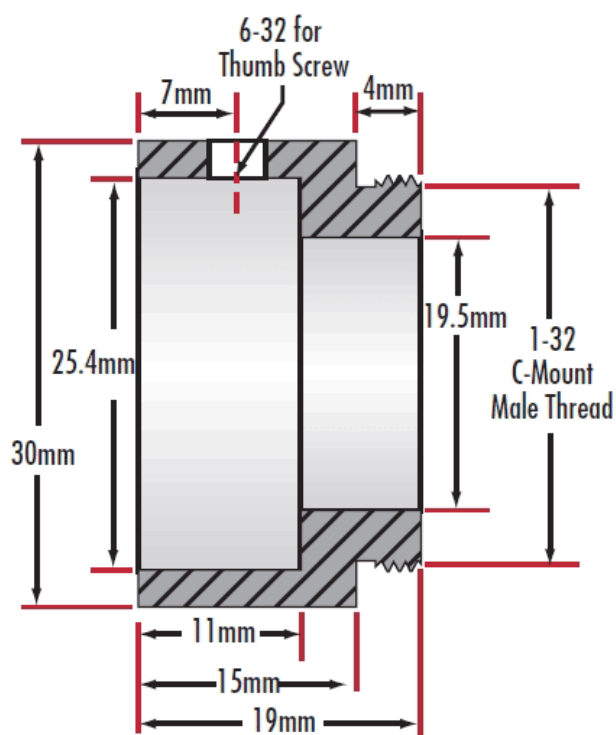
Imported By:
Edmund Optics India Private Limited
267, Greystone Building, Second Floor,
6th Cross Rd, Binnamangala,
Stage 1, Indiranagar, Bengaluru,
Karnataka, India 560038
Phone: +91- 80-6845 0000

Product Details

- Adapt Light Guides to Optical Components
- C-Mount and T-Mount Versions Available
- Articulating Arm Package Available

These optional Light Guide Mounting Adapters make mounting and integration easy. The versatile mounting adapter is used in some of our [machine vision lens assemblies](#). It connects on one side to fiber optic light guides, using the matching [fiber optic adapter](#), and is secured via a thumb screw. The opposite side features a C-Mount or T-Mount male thread for easy integration with our C-Mount and T-Mount components. Our [Articulating Arm Package](#) also provides convenient, adjustable mounting. It includes one 3" long shaft, two knuckle ball-joints with 1/4-20 threaded studs, and a ring clamp.

Technical Information



C-Mount Dimensions