

[See all 22 Products in Family](#)

Breadboard Mounting Plate (2.5" sq w/ 1/4-20 Thru Holes) (B)



Breadboard Mounting Plate

Stock #38-535 **2 In Stock**

1 MRP ₹7,920

Price inclusive of all taxes

ADD TO CART

Volume Pricing

Qty 1+	₹7,920 each
Need More?	Request Quote

Product Downloads

General

Adapter Brackets & Plates **Type:**

Regulatory Compliance

RoHS 2015:
[Compliant](#)

Certificate of Conformance:
[View](#)

Country of Origin:

United States

Imported By:

Edmund Optics India Private Limited
 267, Greystone Building, Second Floor,
 6th Cross Rd, Binnamangala,
 Stage 1, Indiranagar, Bengaluru,
 Karnataka, India 560038
 Phone: +91-80-6845 0000

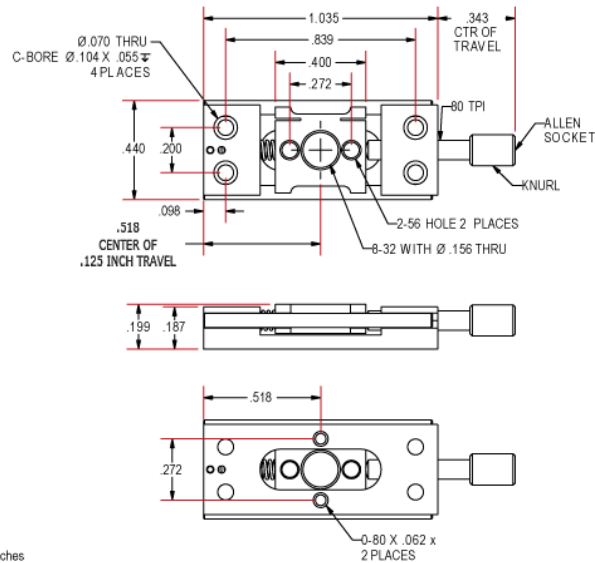
Product Details

- Two Micro Sizes Available
- Versions with Covered Rails
- Three Travel Selections
- X, XY, and XYZ Axis Models

These stages are a dimensional breakthrough and the smallest positioners available today. Positive spring loaded carriage provides precise, smooth motion with no backlash. Straight line accuracy under 2 microns. Features fine 80 TPI lead screw drive. The larger series, Stage Size B, are for longer travel, higher load applications. Fully metric compatible clearance holes. Covered Rail versions are slightly wider, but offer protection for the guide rails. Accessories allow for mounting our precision pinholes for spatial filtering applications. Anodized aluminum construction with stainless rails.

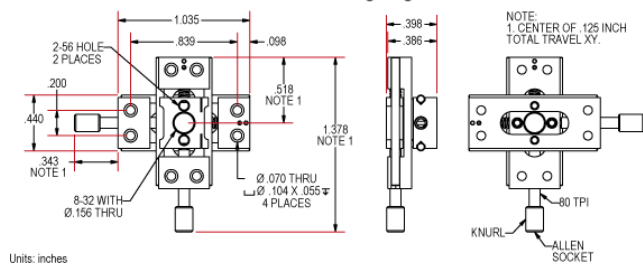
Technical Information

Manual Micro Positioning Stage #38-526



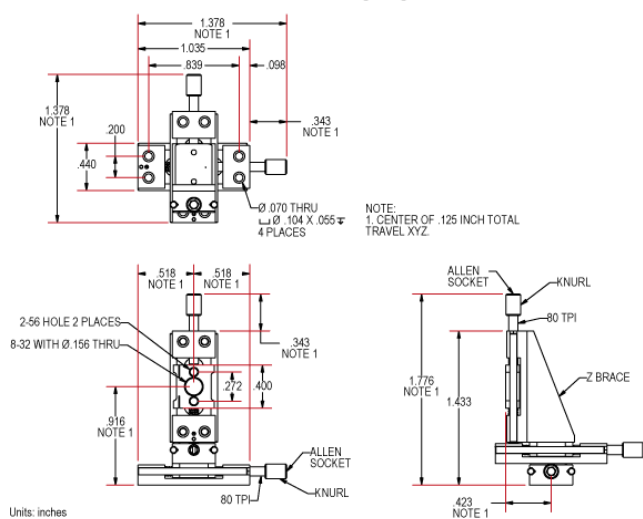
Units: inches

Manual Micro Positioning Stage #38-527



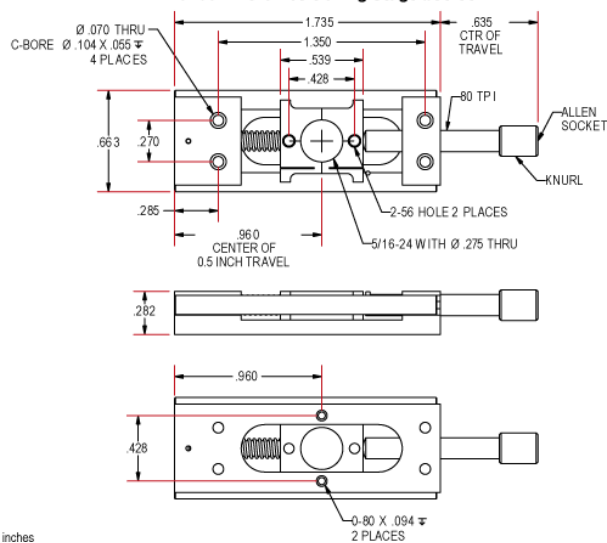
Units: inches

Manual Micro Positioning Stage #38-528



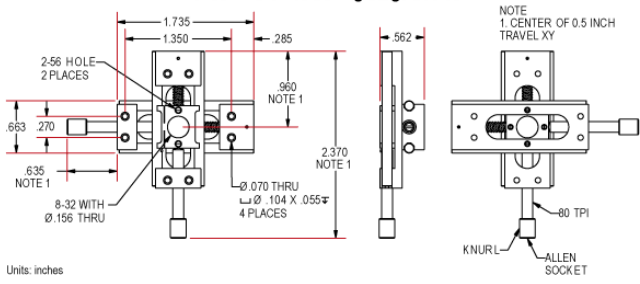
Units: inches

Manual Micro Positioning Stage #38-531



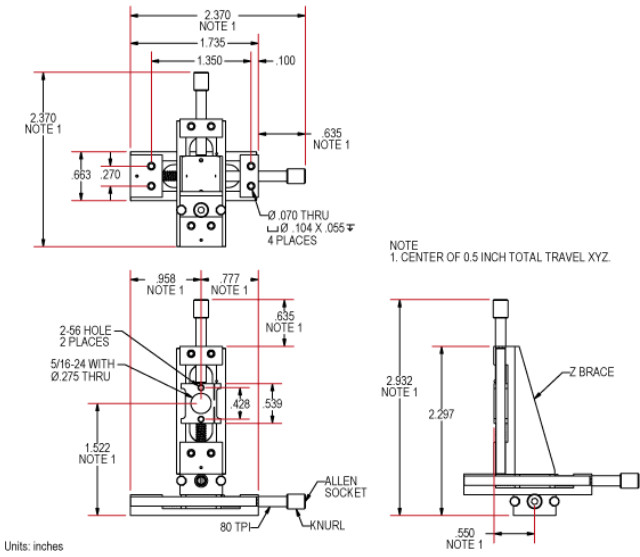
Units: inches

Manual Micro Positioning Stage #38-532



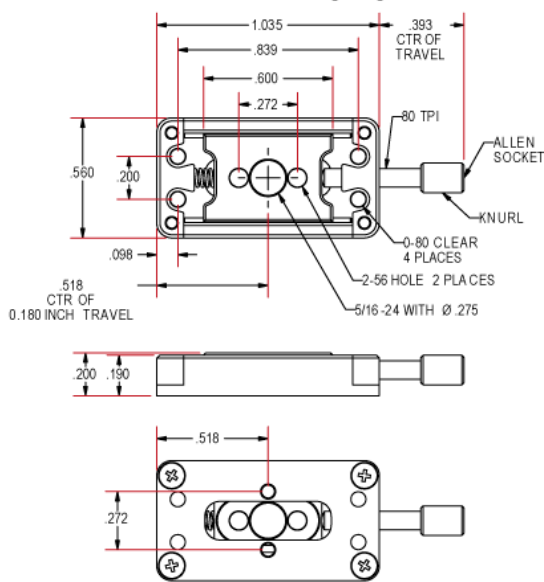
Units: inches

Manual Micro Positioning Stage #38-533



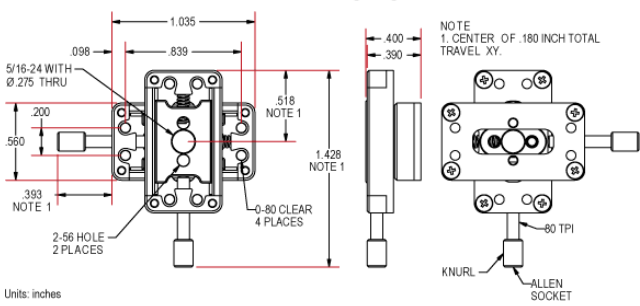
Units: inches

Manual Micro Positioning Stage #56-416



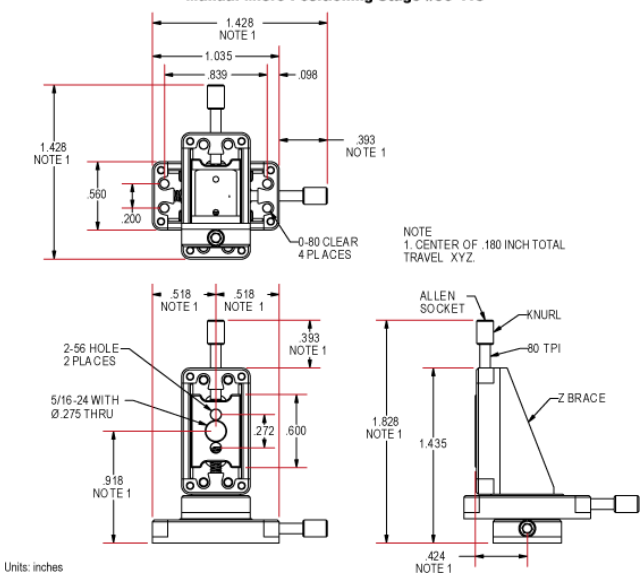
Units: inches

Manual Micro Positioning Stage #56-417



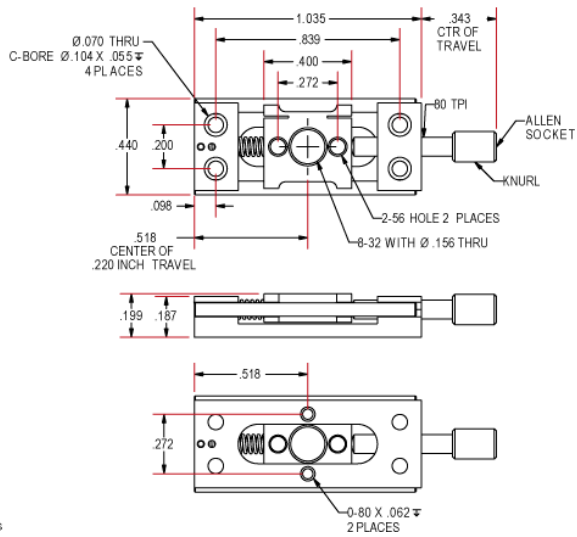
Units: inches

Manual Micro Positioning Stage #56-418



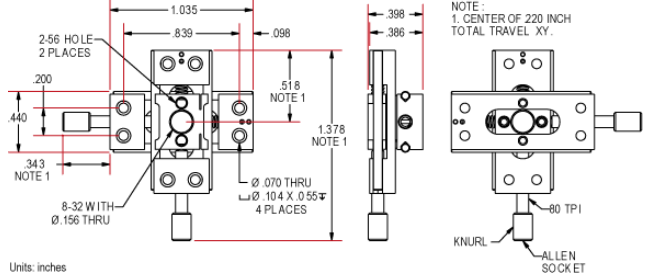
Units: inches

Manual Micro Positioning Stage #56-419



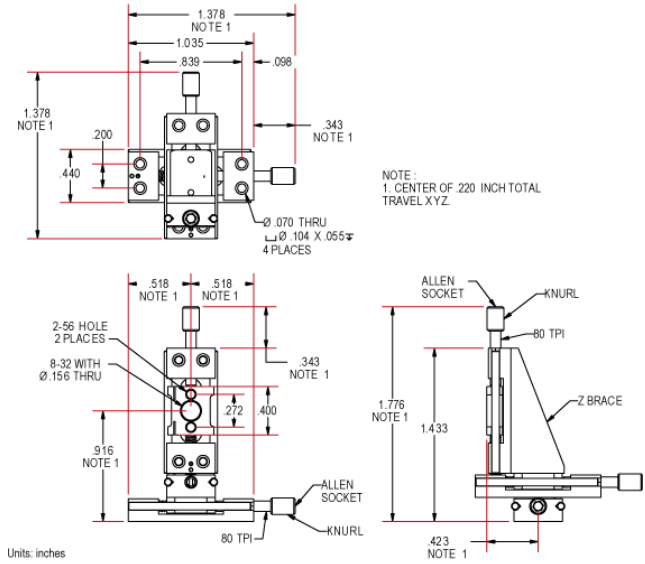
Units: inches

Manual Micro Positioning Stage #56-420



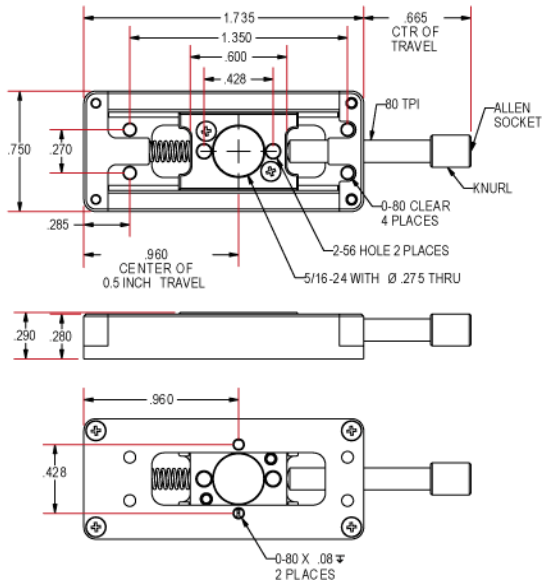
Units: inches

Manual Micro Positioning Stage #56-421



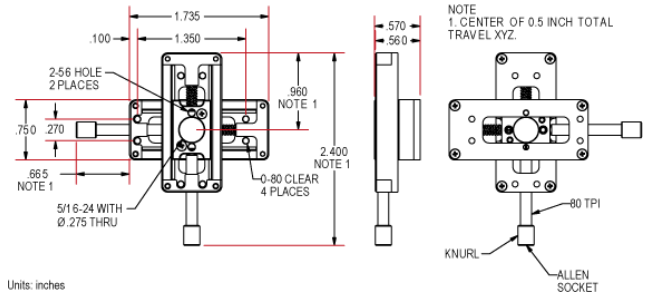
Units: inches

Manual Micro Positioning Stage #56-422



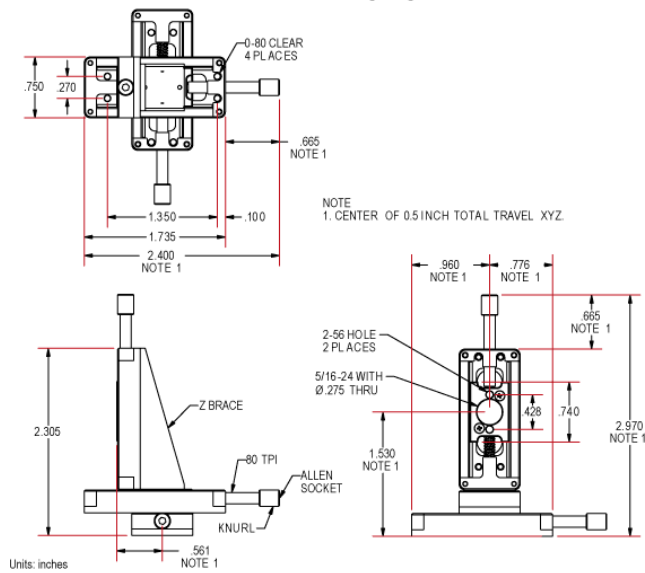
Units: inches

Manual Micro Positioning Stage #56-423

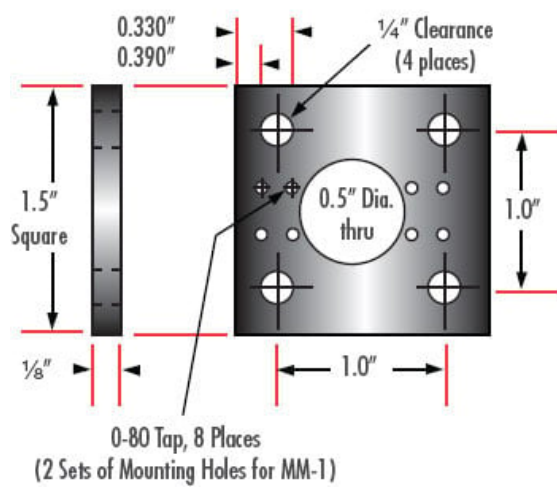


Units: inches

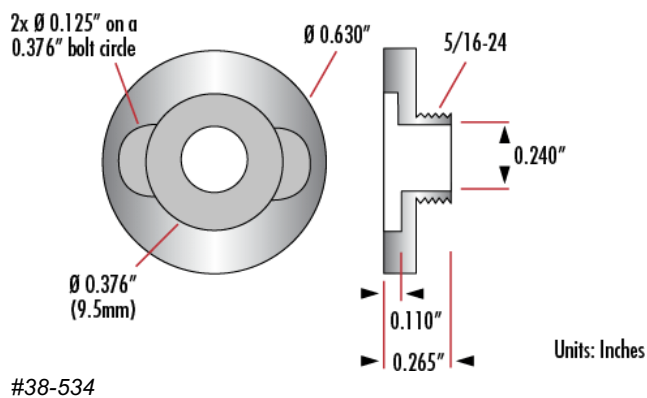
Manual Micro Positioning Stage #56-424



#38-530



Pinhole Adapter for Stage Type B, #38-534



Pinhole Adapter for Stage Type A, #38-529

