

**TECHSPEC® Mounting Plate for 101.6mm Diameter Off-Axis Mirrors**



Mounting Plate for 101.6mm Diameter Off-Axis Mirrors, #83-977

Stock **#83-977** **5 In Stock**

- 1 + MRP ₹18,160

Price inclusive of all taxes

**ADD TO CART**

Volume Pricing	
Qty 1-5	₹18,160 each
Qty 6-10	₹16,344 each
Qty 11+	₹15,639 each
Need More?	<a href="#">Request Quote</a>

Product Downloads

**Physical & Mechanical Properties**

Center Thickness CT (mm):  
12.70

Inner Diameter (mm):  
57.15

Outer Diameter (mm):  
152.40

Dowel Pin Diameter (mm):

## Threading & Mounting

### Mounting Threads:

Face Mount: 8-32 (screws included)  
Side Mount: 1/4-20 (screws not included)

### Size of Compatible Optics (mm):

101.60

## Regulatory Compliance

### RoHS 2015:

Compliant

### Certificate of Conformance:

View

### Reach 247:

Compliant

### Country of Origin:

United States

### Imported By:

Edmund Optics India Private Limited  
267, Greystone Building, Second Floor,  
6th Cross Rd, Binnamangala,  
Stage 1, Indiranagar, Bengaluru,  
Karnataka, India 560038  
Phone: +91-80-6845 0000

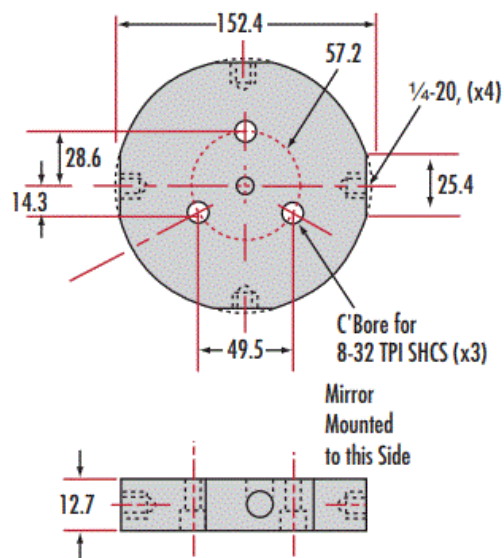
## Product Details

- Bare or Protected Gold Coating for NIR and IR Applications
- 50Å and 100Å Surface Roughness Options
- 15°, 30°, 45°, 60°, or 90° Offset Angles
- Aluminum and Silver Coated Mirrors Also Available

TECHSPEC® Gold Off-Axis Parabolic Mirrors (OAPs) are designed for minimal scatter loss in light focusing applications. Available with bare or protected gold coatings, these OAP mirrors offer excellent reflectivity from the near infrared (NIR) to the far infrared (IR). Multiple surface roughness options are available in offset angles from 15 to 90°, providing flexibility for system designs. TECHSPEC® Gold Off-Axis Parabolic Mirrors are commonly used in IR systems such as FLIR and FTIR, as well as IR lasers including quantum cascade lasers (QCLs). Mounting plates with holes perpendicular to the optical axis for post mounting are also available.

## Technical Information

### Mounting Plate for 101.6mm Mirrors, #83-977



## Special Handling

These optics require special handling to avoid damage and ensure long-term performance. Proper handling, cleaning, and storage are essential to maintain optical quality. Explore our [Optics Cleaning Resources](#) for step-by-step guides and best practices. For personalized assistance, [Email us](#) or [Chat](#) with our technical support team.



Component Handling Tools