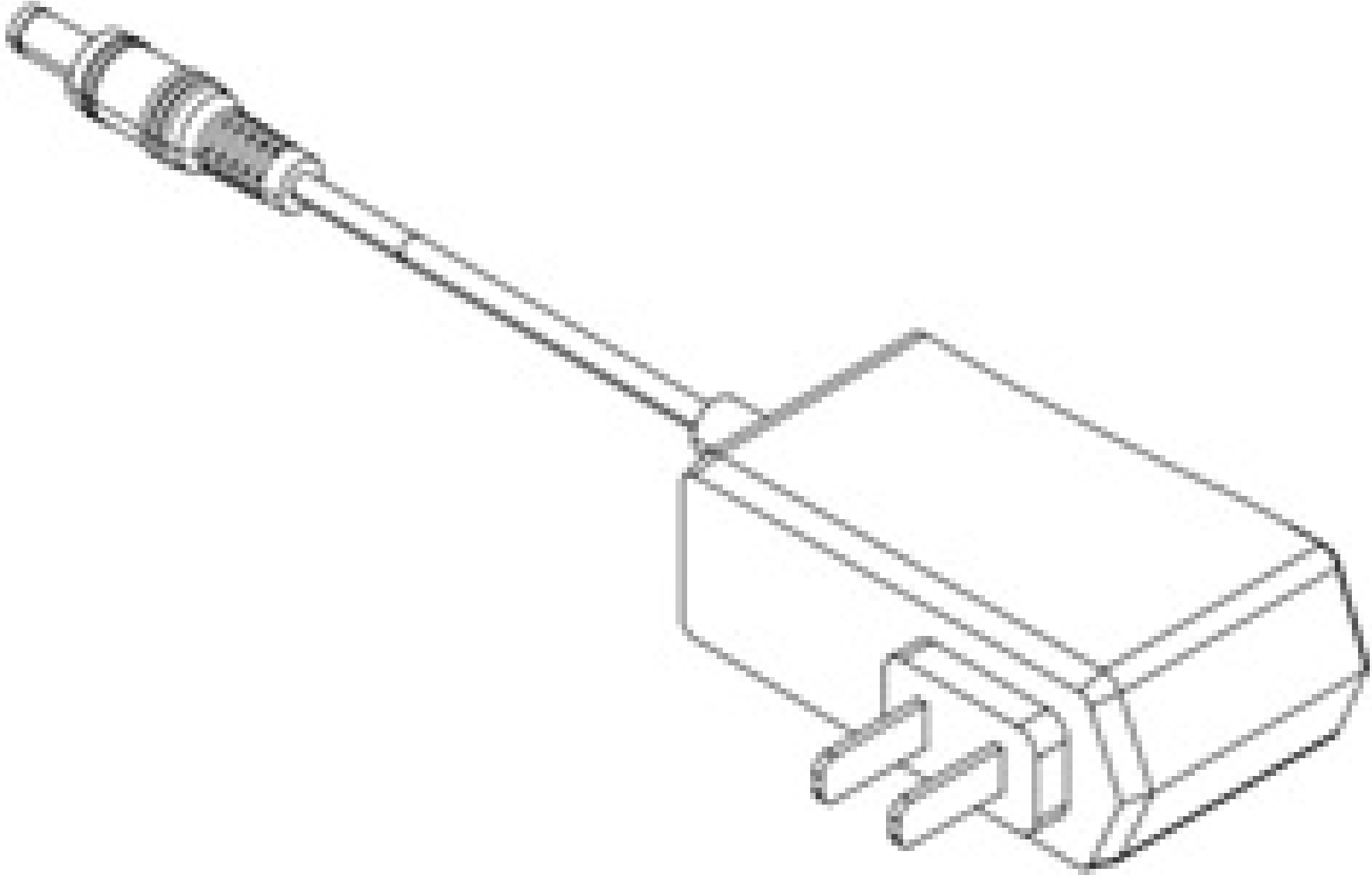


## 6V DC/1A Power Supply



#19-468: 6V DC/1A Power Supply

Stock **#19-468** **3 In Stock**

1  MRP ₹5,098

Price inclusive of all taxes

**ADD TO CART**

### Volume Pricing

Qty 1+	₹5,098 each
Need More?	<a href="#">Request Quote</a>

### Product Downloads



### Regulatory Compliance

**Compliant**

RoHS 2015:

[View](#)

Certificate of Conformance:

**Compliant**

Reach 233:

China

Country of Origin:

**Imported By:**

Edmund Optics India Private Limited  
267, Greystone Building, Second Floor,  
6th Cross Rd, Binnamangala,  
Stage 1, Indiranagar, Bengaluru,  
Karnataka, India 560038  
Phone: +91- 80-6845 0000

---

## Product Details

- TTL Modulation up to 10kHz
- Circular and Elliptical Beam Profiles
- Focus Adjustable

Violet and Blue Alignment Laser Diodes are ideal for alignment and sensing applications. Available with output power options ranging from 1 to 100mW, these lasers are commonly integrated into visual-based systems or monochromatic vision systems. Because monochromatic vision systems are typically illuminated with green or red lights, a 405 or 450nm alignment laser can be easily filtered out without affecting the system's illumination. These lasers feature simple operation due to the integrated optics and electronics and are easily powered via a 5VDC source. Violet and Blue Alignment Laser Diodes feature an external focusing mechanism and accept interchangeable projection heads.

**Note:** Power supply and mounting bracket sold separately.

---

;