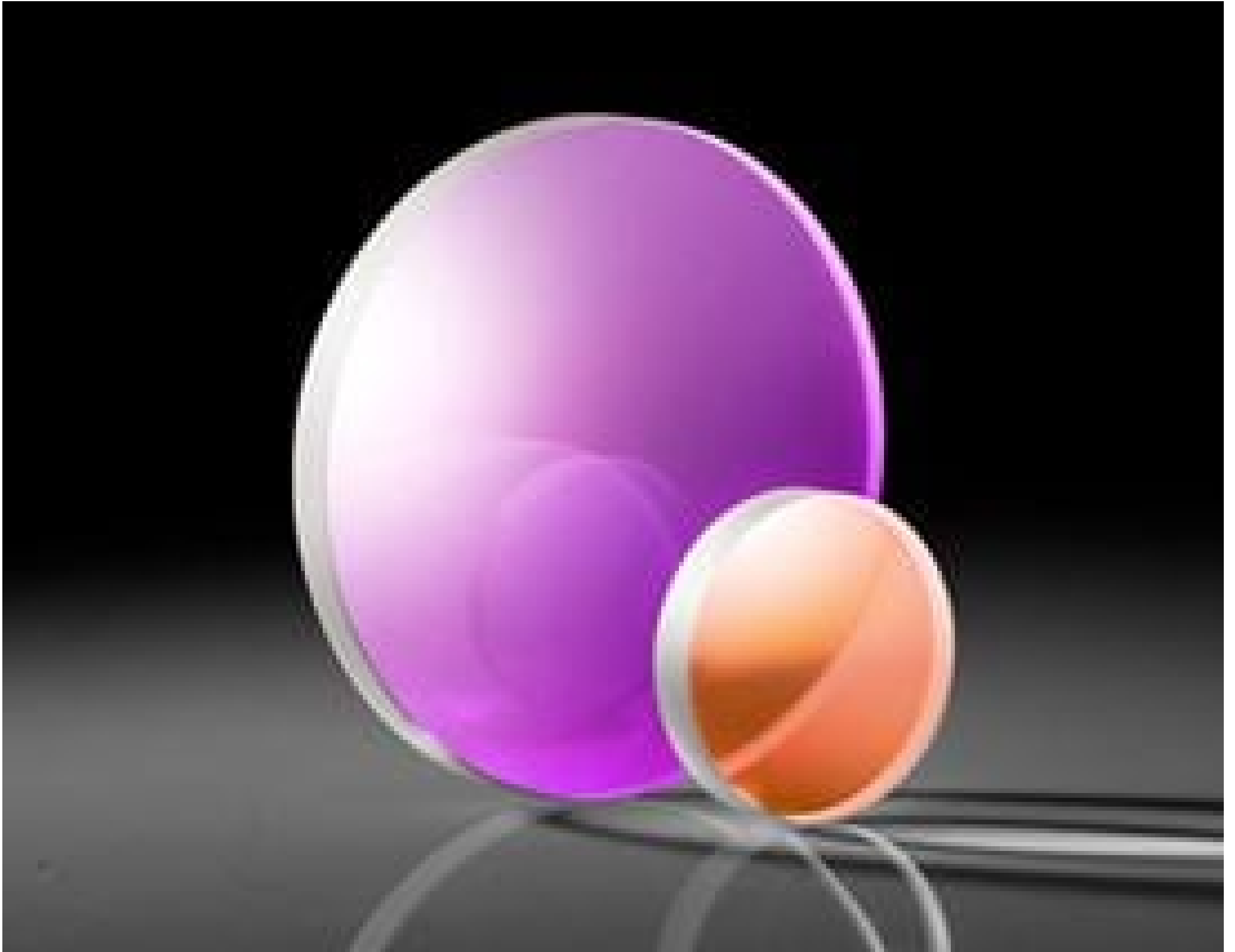


[See all 195 Products in Family](#)

**TECHSPEC® 6mm Diameter x 24mm FL, 532nm Coated, Laser Grade PCX Lens**



TECHSPEC Laser Grade PCXLenses

Stock **#87-938** **12 In Stock**

[Other Coating Options](#)

⊖ 1 ⊕ ₹13,312

**ADD TO CART**

Volume Pricing	
Qty 1-5	₹13,312 each
Qty 6-25	₹10,665 each
Qty 26-49	₹9,809 each
Need More?	<a href="#">Request Quote</a>

Product Downloads

**General**

Plano-Convex Lens **Type:**

**Physical & Mechanical Properties**

6.00 +0.00/-0.05 **Diameter (mm):**

**Centering (arcmin):**

<1

Center Thickness CT (mm):  
2.00 ±0.05

Edge Thickness ET (mm):  
1.58

Clear Aperture CA (mm):  
5.4

Bevel:  
Protective as needed

## Optical Properties

Effective Focal Length EFL (mm):  
24.00 @ 587.6nm

Back Focal Length BFL (mm):  
22.63

Coating:  
Laser V-Coat (532nm)

Coating Specification:  
 $R_{\text{abs}} < 0.25\%$  @ 532nm

Substrate:   
[Fused Silica](#) (Corning 7980)

Surface Quality:  
20-10

Power (P-V) @ 632.8nm:  
 $\lambda$

Irregularity (P-V) @ 632.8nm:  
 $\lambda/10$

Focal Length Tolerance (%):  
 $\pm 1$

Radius  $R_1$  (mm):  
11.00

f#:  
4.00

Numerical Aperture NA:  
0.13

Design Wavelength DWL (nm):  
532

Damage Threshold, By Design:   
 $10 \text{ J/cm}^2$  @ 532nm, 20ns, 20Hz

## Regulatory Compliance

RoHS 2015:  
[Compliant](#)

REACH 2011:  
[Compliant](#)

Certificate of Conformance:  
[View](#)

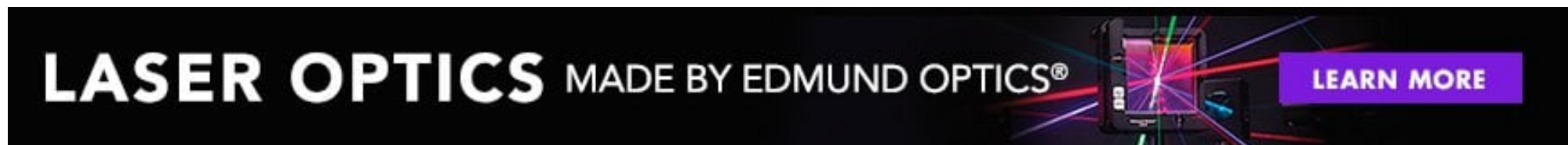
Country of Origin:  
Japan

Imported By:  
Edmund Optics India Private Limited

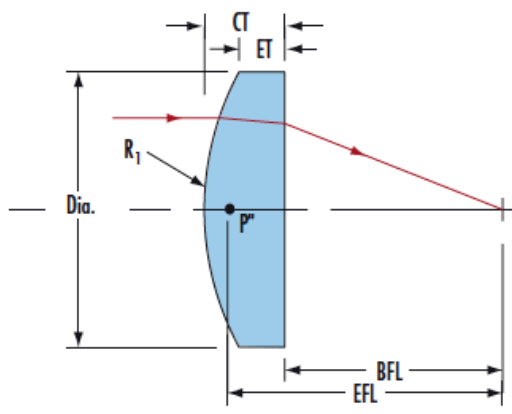
## Product Details

- Guaranteed Laser Damage Threshold
- 10-5 Surface Quality
- $\lambda/10$  Surface Accuracy

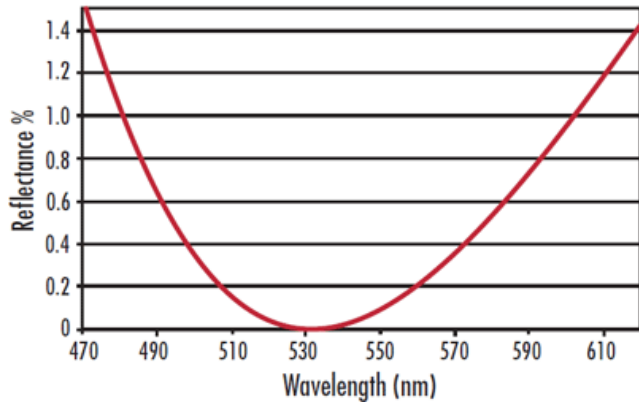
TECHSPEC® Laser Grade PCXLenses are designed for high energy Nd:YAG laser applications including laser cutting, machining, and welding. The precision fused silica substrate, featuring  $\lambda/10$  surface accuracy and 10-5 surface quality, ensures low scatter and excellent transmitted wavefront performance. TECHSPEC® Laser Grade PCXLenses are available uncoated or with a variety of high laser damage threshold anti-reflection (AR) coating options. Coatings are available at the most common Nd:YAG laser wavelengths to ensure maximum laser throughput.



## Technical Information



**532nm V-Coat**  
 $R_{(obs)} < 0.25\% @ 532nm$



## Custom

Edmund Optics offers comprehensive custom manufacturing services for optical and imaging components tailored to your specific application requirements. Whether in the prototyping phase or preparing for full-scale production, we provide flexible solutions to meet your needs. Our experienced engineers are here to assist—from concept to completion.

Our capabilities include:

- Custom dimensions, materials, coatings, and more
- High-precision surface quality and flatness
- Tight tolerances and complex geometries
- Scalable production—from prototype to volume

Learn more about our [custom manufacturing capabilities](#) or submit an inquiry [here](#).

## Compatible Mounts