

[See all 298 Products in Family](#)

**TECHSPEC® 690nm CWL, 12.5mm Dia., Hard Coated OD 4.0 10nm Bandpass Filter**



TECHSPEC Hard Coated OD 4.0 10nm Bandpass Filters

Stock **#65-113** **2 In Stock**

⊖ 1 ⊕ MRP ₹18,766

● Price inclusive of all taxes

**ADD TO CART**

Volume Pricing	
Qty 1-5	₹18,766 each
Qty 6-25	₹15,033 each
Qty 26-49	₹14,074 each
Need More?	<a href="#">Request Quote</a>

Product Downloads

**General**

Bandpass Filter **Type:**

Emission Flash Red **Typical Applications:**

**Physical & Mechanical Properties**

**Diameter (mm):**

12.50 +0.0/-0.1

**Clear Aperture CA (mm):**

8.5

**Construction:**

Mounted in Black Anodized Ring

**Physical Durability:**

Adhesion per MIL-PRF-13830B, Section C.4.5.12  
Moderate abrasion per MIL-PRF-13830B, Section C.4.5.11  
Cleaning per MIL-C-48497A Section 4.5.4.2

**Substrate Thickness (mm):**

3.5 ±0.5 typical

## Optical Properties

**Angle of Incidence (°):**

0

**Optical Density OD (Average):**

≥4.0

**Center Wavelength CWL (nm):**

690.00 ±2.0

**Full Width-Half Max FWHM (nm):**

10.00 ±2.0

**Full Width-Half Max FWHM Tolerance (nm):**

±2.0

**Substrate:**

Optical Glass

**Minimum Transmission (%):**

≥85

**Coating:**

Hard Coated

**Surface Quality:**

80-50

**Blocking Wavelength Range (nm):**

200 - 1200

## Threading & Mounting

**Mount Thickness (mm):**

5.0 ±0.1

## Environmental & Durability Factors

**Environmental Durability:**

Humidity per ML-STD-810H, Section 507.6  
Temperature per ML-STD-810H, Section 501.7 and 502.7

## Regulatory Compliance

**RoHS 2015:**

**Compliant**

**Certificate of Conformance:**

[View](#)

**Reach 247:**

**Compliant**

**Country of Origin:**

United States

**Imported By:**

Edmund Optics India Private Limited  
267, Greystone Building, Second Floor,  
6th Cross Rd, Binnamangala,  
Stage 1, Indiranagar, Bengaluru,  
Karnataka, India 560038  
Phone: +91- 80-6845 0000

## Need different specs or modifications?

Edmund Optics offers comprehensive custom manufacturing services for optical and imaging components tailored to your specific application requirements. Whether in the prototyping phase or preparing for full-scale production, we provide flexible solutions to meet your needs. Our experienced engineers are here to assist—from concept to completion.

Our capabilities include:

- Custom dimensions, materials, coatings, and more
- High-precision surface quality and flatness
- Tight tolerances and complex geometries
- Scalable production—from prototype to volume

Learn more about our [custom manufacturing capabilities](#) or submit an inquiry [here](#).

## Product Details

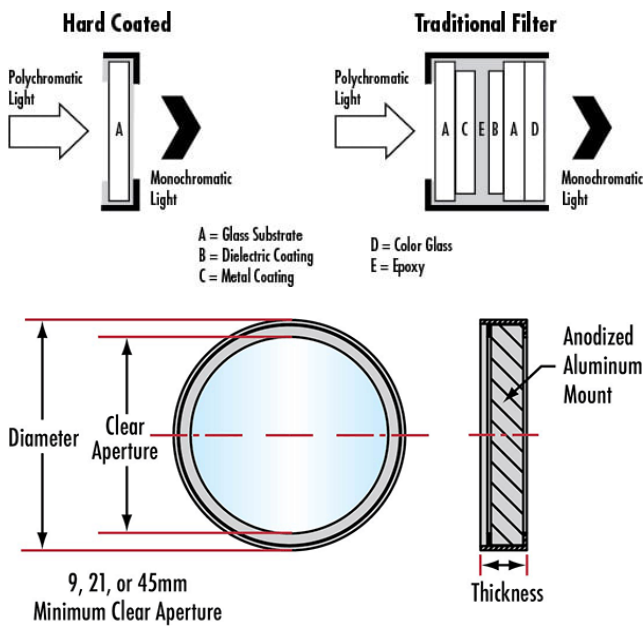
- Ideal for Life Sciences or Chemical Analysis
- Available in UV, VIS, and IR Center Wavelengths

- Feature High Performance Hard Coatings
- Hard Coated OD 4.0 **5nm**, **25nm**, and **50nm** Bandpass Filters Also Available

TECHSPEC® Hard Coated OD 4.0 10nm Bandpass Filters are narrowband filters used extensively in applications including flame photometry, elemental or laser line separation, fluorescence, laser diode cleanup, or chemical detection or analysis. These optical filters offer steep slopes with deep blocking to achieve high performance in demanding applications. TECHSPEC Hard Coated OD 4.0 10nm Bandpass Filters feature durable hard coatings to minimize filter degradation while increasing transmission. The bandpass filters are available in UV, VIS, and IR center wavelengths.

**Note:** These filters are optimized for high spectral performance rather than high Laser Induced Damage Thresholds (LIDT). Atypical LIDT for these filters is  $1 \text{ J/cm}^2 @ 532\text{nm}$ , 10ns. Please [contact us](#) if you require a filter with a higher LIDT value.

## Technical Information



## Compatible Mounts