

## 6.4mm Clear Aperture, 20 Arcsec, Gold Retroreflector



Stock **#46-180** **1 In Stock**

⊖ 1 ⊕ ₹1,06,655

**ADD TO CART**

### Volume Pricing

|            |                               |
|------------|-------------------------------|
| Qty 1+     | ₹1,06,655 each                |
| Need More? | <a href="#">Request Quote</a> |

### Product Downloads

### General

Retroreflector **Type:**

### Physical & Mechanical Properties

6.4 **Clear Aperture CA (mm):**

8.10 **Diameter (mm):**

±1.6 **Dimensional Tolerance (mm):**

## Optical Properties

20.00 **Beam Deviation (arcsec):**

Protected Gold (700-2000nm) **Coating:**

0.6λ **Exiting Wavefront Accuracy:**

[BOROFLOAT®](#) **Substrate:** □

80-50 **Surface Quality:**

Left-Handed **Image Orientation:**

180 **Ray Deviation (°):**

700 - 2000 **Wavelength Range (nm):**

## Threading & Mounting

None **Mounting Threads:**

## Regulatory Compliance

[Compliant](#) **RoHS 2015:**

[Compliant](#) **REACH 201:**

[View](#) **Certificate of Conformance:**

United States **Country of Origin:**

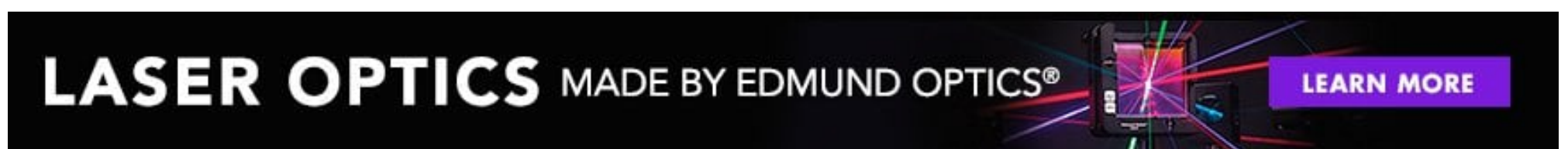
Edmund Optics India Private Limited **Imported By:**

## Product Details

- Incident Light is Reflected Back to the Source
- Hollow Lightweight Design
- No Material Absorption or Chromatic Aberration

Hollow Retroreflectors are constructed of three first surface mirrors assembled into a corner cube. This produces a lightweight "hollow corner cube" that is totally insensitive to position and movement. The result is that parallel incident light is reflected back to the source with great accuracy, regardless of the angle of incidence. Since the optical path is in air, this configuration eliminates material absorption and chromatic aberrations present in solid glass prism-type retroreflectors. The larger housings feature a variety of mounting holes on the back plate.

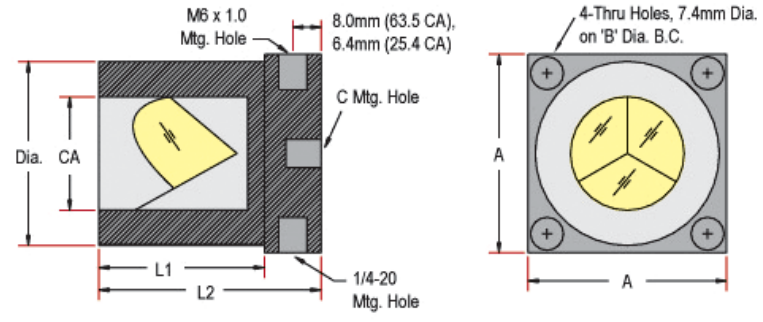
The specified beam deviation value of each Hollow Retroreflector is the maximum deviation from parallelism of any single return beam from any of the six sub-apertures, when the retroreflector is fully illuminated. Exiting wavefront is the resultant peak-to-valley wavefront deformation from a fully illuminated retroreflector, which is listed in factors of λ (where λ = 633nm). The unique, patented cushion mounting makes these Hollow Retroreflectors extremely resistant to shock.



## Technical Information

| Clear Aperture (CA) | Diameter | L1       | L2      | A       | B       | C       |
|---------------------|----------|----------|---------|---------|---------|---------|
| 6.4mm               | 8.1mm    | 8.1mm *  | —       | —       | —       | —       |
| 12.7mm              | 14.6mm   | 19.1mm * | —       | —       | —       | M3 x0.5 |
| 25.4mm              | 41.3mm   | 36.5mm   | 49.2mm  | 44.5mm  | 50.8mm  | ¼-20    |
| 50.8mm              | 76.2mm   | 62.0mm   | 79.5mm  | 78.7mm  | 94.2mm  | ¼-20 ** |
| 63.5mm              | 89.4mm   | 61.5mm   | 79.0mm  | 92.3mm  | 101.6mm | ¼-20 ** |
| 127.0mm             | 166.7mm  | 125.5mm  | 150.8mm | 171.5mm | 221.9mm | ¼-20 ** |

### Hollow Retroreflectors



\*Does not have back plate

\*\*Additional 8 mounting holes on 50.8mm and larger Dia: (4) M6 x 1.0 at 90° and (4) 1/4-20 at 90° on 2" Bolt Circle