

[See all 10 Products in Family](#)

# 63X ZEISS A-Plan Objective

See More by [ZEISS](#)



ZEISS A-Plan Objectives



Stock #13-819 **9 In Stock**

1  MRP ₹89,208

Price inclusive of all taxes

**ADD TO CART**

Volume Pricing	
Qty 1+	₹89,208 each
Need More?	<a href="#">Request Quote</a>

## Product Downloads

### General

421080-9900-000 **Model Number:**

**Compatible Tube Lens Focal Length (mm):**  
Focal Length: 164.50mm

Microscope Objective **Type:**

Fluorescence, BrightField  
**Typical Applications:**

InfinityCorrected  
**Style:**

Zeiss  
**Manufacturer:**

## Physical & Mechanical Properties

0.37  
**Field of View (mm):**

44.60  
**Length excluding Threads (mm):**

30  
**Maximum Diameter (mm):**

168  
**Weight (g):**

## Optical Properties

0.17  
**Compatible Cover Glass Thickness (mm):**

2.60  
**Focal Length FL (mm):**

63X  
**Magnification:**

0.80  
**Numerical Aperture NA:**

0.34  
**Resolving Power (μm):**

0.43  
**Depth of Field (μm):**

0.3  
**Working Distance (mm):**

480 - 650  
**Wavelength Range (nm):**

23  
**Field Number (mm):**

45.06  
**Parfocal Length (mm):**

N/A  
**Immersion Liquid:**

## Threading & Mounting

M27 x 0.75  
**Mounting Threads:**

## Environmental & Durability Factors

+10 to +40  
**Operating Temperature (°C):**

75% at 35°C  
**Operating Humidity:**

## Regulatory Compliance

[View](#)  
**Certificate of Conformance:**

China  
**Country of Origin:**

Edmund Optics India Private Limited  
267, Greystone Building, Second Floor,  
6th Cross Rd, Binnamangala,  
Stage 1, Indiranagar, Bengaluru,  
Karnataka, India 560038  
Phone: +91- 80-6845 0000  
**Imported By:**

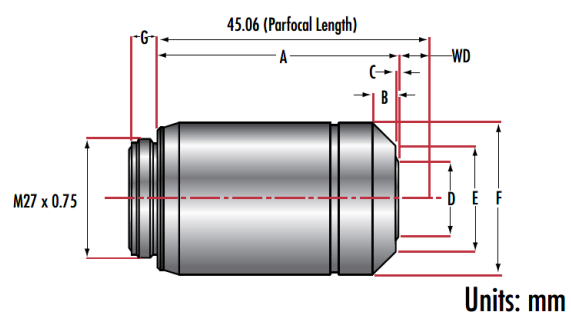
## Product Details

- Ideal for Brightfield and Fluorescence Applications
- Excellent Color Correction and Flatness of Field
- Oil Immersion Options Available

ZEISS A-Plan Infinity Corrected Objectives are designed for a variety of routine life science applications. These objectives exhibit excellent color correction and flatness of field that satisfy ISO 19012-1:2013 standards. They are ideal for brightfield inspection of fixed and stained tissues or cells in fluorescence applications. The large field number of 23mm facilitates fast screening of samples. ZEISS A-Plan Infinity Corrected Objectives are corrected for standard cover slips with 0.17mm thickness.

**Note:** Tube Lens [#13-828](#) is required when using ZEISS A-Plan Infinity Corrected Objectives with non-ZEISS Infinity Color Corrected (ICS) microscope systems.

# Technical Information



Stock No.	A-Plan	A	B	C	D	E	F	G	W.D.	PFL	Mounting Threads
#13-814	2.5X	34.5	6.25	2.75	17.0	22.5	30.0	3.9	10.40	45.06	M27x0.75
#13-815	5X	34.8	7.25	2.75	17.0	22.5	30.0	3.9	10.10	45.06	M27x0.75
#13-816	10X	40.4	4.75	5.25	12.0	22.5	30.0	3.9	4.50	45.06	M27x0.75
#13-817	20X	44.4	7.90	6.30	6.4	22.0	30.0	4.0	0.46	45.06	M27x0.75
#13-818	40X	44.4	8.00	3.30	7.0	21.0	30.0	4.0	0.45	45.06	M27x0.75
#13-819	63X	44.6	8.00	6.60	7.0	22.0	30.0	4.0	0.30	45.06	M27x0.75
#13-820	100X	43.9	10.70	3.20	7.1	19.0	30.0	3.9	0.97	45.06	M27x0.75
#13-821	100X OIL	44.7	9.00	5.70	7.0	19.0	30.0	4.0	0.22	45.06	M27x0.75