

## 5" square Metric/English Adapter



Stock #55-382 **1 In Stock**

- 1 + MRP ₹5,751

Price inclusive of all taxes

**ADD TO CART**

### Volume Pricing

Qty 1+	₹5,751 each
Need More?	<a href="#">Request Quote</a>

### Product Downloads

#### General

Universal **Type:**

See Figure B **Note:**

English **Compatible Breadboard:**

#### Physical & Mechanical Properties

0.5 **Thickness (inches):**

5.0 Length (inches):

5.0 Width (inches):

Anodized Aluminum Construction:

## Threading & Mounting

Mounting Threads:  
(14) M6 x 1.0, (2) ¼ S.H.C.S Slots, (1) ¼ and M6 S.H.C.S C'bore

## Regulatory Compliance

Compliant RoHS 2015:

View Certificate of Conformance:

Compliant Reach 250:

China Country of Origin:

Imported By:  
Edmund Optics India Private Limited  
267, Greystone Building, Second Floor,  
6th Cross Rd, Binnamangala,  
Stage 1, Indiranagar, Bengaluru,  
Karnataka, India 560038  
Phone: +91- 80-6845 0000

## Product Details

- Connects Metric/English Components to English/Metric Breadboards
- Standard ¼-20 or M6 x 1.0 Holes and Slots
- Center C'bore Can Be Used for ¼ or M6 S.H.C.S.
- Large and Small Sizes
- Black Anodized Aluminum Construction

Metric-English adapter plates are designed to connect our new Metric components to English breadboards while English-Metric adapter plates connect English components to Metric breadboards. These adapter plates are universal and can also be used to connect rotary stages, translation stages, and lab jacks together. See drawings for more details. For versatility, center counterbore is designed to accept both ¼ and M6 socket head cap screws. Both are available in large 5" square or 2.5" square sizes.

## Technical Information

Type	A	B	C	D	E Mounting Thread	F Slots for S.H.C.S	Stock No.
Figure A	50.0mm	25.4mm	50.8mm	25.0mm	M6 x 1.0	¼	<a href="#">#55-383</a>
Figure A	2"	0.984"	1.969"	1"	¼	M6	<a href="#">#55-385</a>
Figure B	101.6mm	25.8mm	101.6mm	25.0mm	M6 x 1.0	¼	<a href="#">#55-382</a>
Figure B	4"	0.969"	3.937"	1"	¼-20	M6	<a href="#">#55-384</a>

### Breadboard Adapter Plates

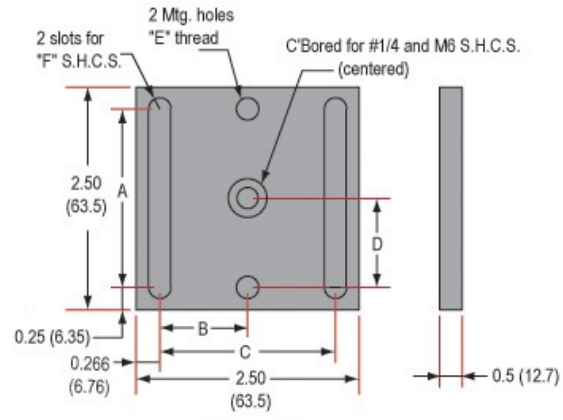


Figure A

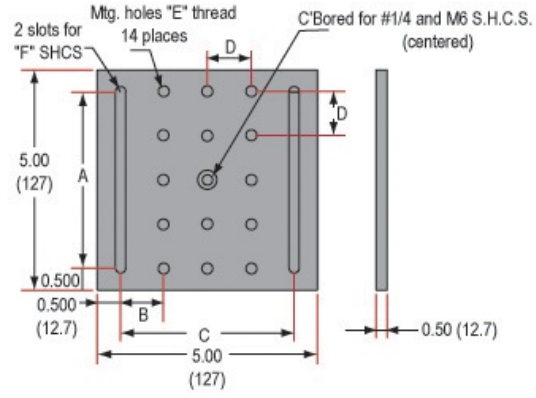


Figure B

Units: inches (mm)