

[See all 12 Products in Family](#)

50X T1.1 Mitutoyo LCD Plan Apo NIR Infinity Corrected Objective

See More by [Mitutoyo](#)



Stock #23-599 **1 In Stock**

⊖ 1 ⊕ MRP ₹5,49,054

i Price inclusive of all taxes

ADD TO CART

Volume Pricing	
Qty 1+	₹5,49,054 each
Need More?	Request Quote

Product Downloads

General

378-828-16 **Model Number:**

Compatible Tube Lens Focal Length (mm):
Focal Length: 200mm

Microscope Objective **Type:**

Style:

Manufacturer:
Mitutoyo

Note:
1.1mm thick LCD cover-glass
Example Application: High magnification inspection through liquid crystal glass (LCD) or cutting and trimming of semiconductor wafer and circuits

Physical & Mechanical Properties

Length excluding Threads (mm):
77.87

Maximum Diameter (mm):
34

Weight (g):
320.00

Optical Properties

Compatible Cover Glass Thickness (mm):
1.1

Design Wavelength DWL (nm):
532, 1064

Horizontal Field of View, 1/2" Sensor:
0.13mm

Horizontal Field of View, 2/3" Sensor:
0.18mm

Focal Length FL (mm):
4.00

Magnification:
50X

Numerical Aperture NA:
0.42

Resolving Power (μm):
0.7

Depth of Field (μm):
1.60

Field of View, 24 Diameter Field Eyepiece (mm):
0.48

Field of View, 18 Diameter Field Eyepiece (mm):
0.36

Working Distance (mm):
17.13

Wavelength Range (nm):
480 - 1800

Parfocal Length (mm):
95.37

Immersion Liquid:
N/A

Sensor

Maximum Sensor Format:
2/3"

Threading & Mounting

Mounting Threads:
M26 x 36 TPI

Environmental & Durability Factors

Performance Assurance Temperature ($^{\circ}\text{C}$):
23 \pm 2

Regulatory Compliance

RoHS 2015:
[Exempt](#)

Certificate of Conformance:
[View](#)

REACH 241:
[Contains SVHC\(s\)](#)

Country of Origin:
Japan

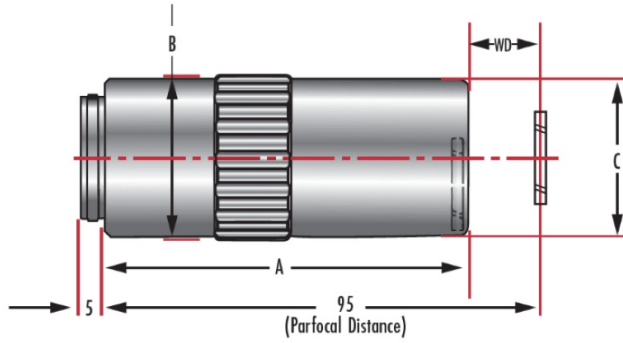
Imported By:
Edmund Optics India Private Limited
267, Greystone Building, Second Floor,
6th Cross Rd, Binnamangala,
Stage 1, Indiranagar, Bengaluru,
Karnataka, India 560038
Phone: +91-80-6845 0000

Product Details

- Ideal for Brightfield Imaging and Laser-Based Applications through LCD Glass
- Excellent Performance at Nd:YAG Laser Lines
- Compensate for Cover-Glass Thickness of 0.7mm or 1.1mm

Mitutoyo NIR, NUV, and UVLCD Infinity Corrected Objectives combine the benefits of the standard MPlan Apo and MPlan Apo SL series objectives with enhanced spectral ranges. The NIR objectives are corrected from 480 to 1800nm, making them ideal for semiconductor and telecommunication inspection, or for laser cutting with common Nd:YAG lasers. The HR series offers an increased numerical aperture, providing smaller spot sizes and higher resolution. Mitutoyo NIR, NUV, and UVLCD Infinity Corrected Objectives compensate for common LCD glass thicknesses. The NUV and UV series of objectives have excellent performance at the second, third, and fourth Nd:YAG harmonics of 532nm, 355nm, and 266nm respectively.

Technical Information



Units: mm

Dimensions				
M Plan NIR	A (mm)	B (mm)	C (mm)	W.D. (mm)
20X, T0.7	75.00	34	32.2	20.0
20X, T1.1	75.02	34	32.2	19.98
50X, T0.7	78.04	34	32.2	17.26
50X, T0.7 HR	77.74	34	32.2	9.60
50X, T1.1	77.87	34	32.2	17.13
100X	82.94	34	32.2	12.06
HR 100X	85.13	39	37	9.87
M Plan NUV	A (mm)	B (mm)	C (mm)	W.D. (mm)
20X, T0.7	78	34	32.2	16.96
50X, T0.7	80	34	32.2	14.76
100X, T1.1	83.97	34	32.2	11.03
M Plan UV	A (mm)	B (mm)	C (mm)	W.D. (mm)
20X, T0.7	80	34	32.2	14.98
50X, T0.7	83	34	32.2	12.38