

## 50X EO M Plan Apo ULWD Infinity Corrected



50XEOMPlan Apo Long Working Distance Infinity Corrected, #59-879

Stock **#59-881** **3 In Stock**

1  MRP ₹3,75,417

Price inclusive of all taxes

**ADD TO CART**

### Volume Pricing

|            |                               |
|------------|-------------------------------|
| Qty 1+     | ₹3,75,417 each                |
| Need More? | <a href="#">Request Quote</a> |

### Product Downloads

### General

**Compatible Tube Lens Focal Length (mm):**  
Focal Length: 200mm

**Type:**  
Microscope Objective

**Style:**  
Infinity Corrected

### Physical & Mechanical Properties

**Field of View (mm):**  
0.48

|        |                                       |
|--------|---------------------------------------|
| 74.50  | <b>Length (mm):</b>                   |
| 74.50  | <b>Length excluding Threads (mm):</b> |
| 34     | <b>Maximum Diameter (mm):</b>         |
| 300.00 | <b>Weight (g):</b>                    |

## Optical Properties

|           |                                                        |
|-----------|--------------------------------------------------------|
| 0.128mm   | <b>Horizontal Field of View, 1/2" Sensor:</b>          |
| 0.176mm   | <b>Horizontal Field of View, 2/3" Sensor:</b>          |
| 0.256mm   | <b>Horizontal Field of View, 1" Sensor:</b>            |
| 4.00      | <b>Focal Length FL (mm):</b>                           |
| 50X       | <b>Magnification:</b>                                  |
| 0.42      | <b>Numerical Aperture NA:</b>                          |
| 0.7       | <b>Resolving Power (µm):</b>                           |
| 1.60      | <b>Depth of Field (µm):</b>                            |
| 0.48      | <b>Field of View, 24 Diameter Field Eyepiece (mm):</b> |
| 20.5      | <b>Working Distance (mm):</b>                          |
| 390 - 780 | <b>Wavelength Range (nm):</b>                          |
| 24        | <b>Field Number (mm):</b>                              |
| 95        | <b>Parfocal Length (mm):</b>                           |
| N/A       | <b>Immersion Liquid:</b>                               |

## Threading & Mounting

|              |                          |
|--------------|--------------------------|
| M26 x 36 TPI | <b>Mounting Threads:</b> |
|--------------|--------------------------|

## Environmental & Durability Factors

|                           |                                    |
|---------------------------|------------------------------------|
| +10 to +40                | <b>Operating Temperature (°C):</b> |
| <85% with no condensation | <b>Operating Humidity:</b>         |

## Regulatory Compliance

|                                                                                                                                                                                                         |                                    |
|---------------------------------------------------------------------------------------------------------------------------------------------------------------------------------------------------------|------------------------------------|
| <a href="#">View</a>                                                                                                                                                                                    | <b>Certificate of Conformance:</b> |
| China                                                                                                                                                                                                   | <b>Country of Origin:</b>          |
| Edmund Optics India Private Limited<br>267, Greystone Building, Second Floor,<br>6th Cross Rd, Binnamangala,<br>Stage 1, Indiranagar, Bengaluru,<br>Karnataka, India 560038<br>Phone: +91- 80-6845 0000 | <b>Imported By:</b>                |

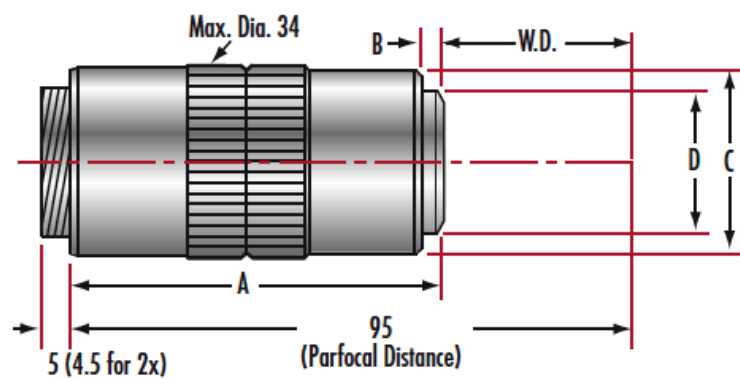
## Product Details

- High Quality Optics in a Plan Achromat Design
- Long Working Distance Options
- Sub-Micron Resolving Power

EO Infinity Corrected Long Working Distance Objectives are made to the highest quality and standards, utilizing a strain-free optical system. They maintain a long working distance and offer high numerical apertures. With resolving power from 5 to 0.34 microns, these objectives work for a wide array of applications. All stated magnifications are based on a tube lens focal length of 200mm. EO Infinity Corrected Long Working Distance Objectives' mounting thread is M26 x 36 TPI. The objectives work with all Mitutoyo parts and can be placed directly in a system currently utilizing Mitutoyo objectives.

## Technical Information

|                    | Stock # | A    | B   | C  | D    | E  |
|--------------------|---------|------|-----|----|------|----|
| 2XMPlan APO        | #59-875 | 61   | —   | 32 | 27.5 | 34 |
| 5XMPlan APO        | #59-876 | 61   | —   | 32 | 25   | 34 |
| 10XMPlan APO       | #59-877 | 61.5 | 2.2 | 32 | 25.5 | 34 |
| 20XMPlan APO       | #59-878 | 75   | 3.2 | 32 | 26.7 | 34 |
| 50XMPlan APO       | #59-879 | 82   | —   | 32 | 25.5 | 34 |
| 100XMPlan APO      | #59-880 | 92   | —   | 32 | 26   | 34 |
| 50XMPlan APO ULWD  | #59-881 | 74.5 | —   | 32 | 25.5 | 34 |
| 100XMPlan APO ULWD | #59-882 | 82   | —   | 32 | 26   | 34 |



Units: mm