

[See all 8 Products in Family](#)

50X EO M Plan Apo Long Working Distance Infinity Corrected



50XEOMPlan Apo Long Working Distance Infinity Corrected, #59-879

Stock **#59-879** **5 In Stock**

⊖ 1 ⊕ MRP ₹2,97,360

● Price inclusive of all taxes

ADD TO CART

Volume Pricing

Qty 1+	₹2,97,360 each
Need More?	Request Quote

Product Downloads

General

Compatible Tube Lens Focal Length (mm):
Focal Length: 200mm

Type:
Microscope Objective

Style:
Infinity Corrected

Physical & Mechanical Properties

Field of View (mm):
0.48

82.00	Length (mm):
82.00	Length excluding Threads (mm):
34	Maximum Diameter (mm):
320	Weight (g):

Optical Properties

0.128mm	Horizontal Field of View, 1/2" Sensor:
0.176mm	Horizontal Field of View, 2/3" Sensor:
0.256mm	Horizontal Field of View, 1" Sensor:
4.00	Focal Length FL (mm):
50X	Magnification:
0.55	Numerical Aperture NA:
0.5	Resolving Power (µm):
0.90	Depth of Field (µm):
0.48	Field of View, 24 Diameter Field Eyepiece (mm):
13.0	Working Distance (mm):
390 - 780	Wavelength Range (nm):
24	Field Number (mm):
95	Parfocal Length (mm):
N/A	Immersion Liquid:

Threading & Mounting

M26 x 36 TPI	Mounting Threads:
--------------	--------------------------

Environmental & Durability Factors

+10 to +40	Operating Temperature (°C):
<85% with no condensation	Operating Humidity:

Regulatory Compliance

View	Certificate of Conformance:
China	Country of Origin:
Edmund Optics India Private Limited 267, Greystone Building, Second Floor, 6th Cross Rd, Binnamangala, Stage 1, Indiranagar, Bengaluru, Karnataka, India 560038 Phone: +91- 80-6845 0000	Imported By:

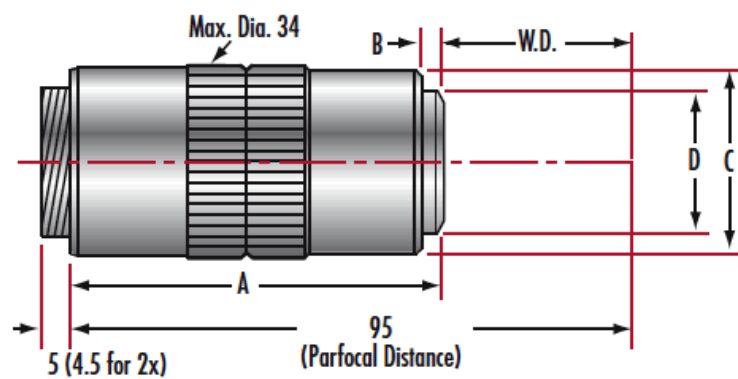
Product Details

- High Quality Optics in a Plan Achromat Design
- Long Working Distance Options
- Sub-Micron Resolving Power

EO Infinity Corrected Long Working Distance Objectives are made to the highest quality and standards, utilizing a strain-free optical system. They maintain a long working distance and offer high numerical apertures. With resolving power from 5 to 0.34 microns, these objectives work for a wide array of applications. All stated magnifications are based on a tube lens focal length of 200mm. EO Infinity Corrected Long Working Distance Objectives' mounting thread is M26 x 36 TPI. The objectives work with all Mitutoyo parts and can be placed directly in a system currently utilizing Mitutoyo objectives.

Technical Information

	Stock #	A	B	C	D	E
2XMPlan APO	#59-875	61	—	32	27.5	34
5XMPlan APO	#59-876	61	—	32	25	34
10XMPlan APO	#59-877	61.5	2.2	32	25.5	34
20XMPlan APO	#59-878	75	3.2	32	26.7	34
50XMPlan APO	#59-879	82	—	32	25.5	34
100XMPlan APO	#59-880	92	—	32	26	34
50XMPlan APO ULWD	#59-881	74.5	—	32	25.5	34
100XMPlan APO ULWD	#59-882	82	—	32	26	34



Units: mm