

[See all 40 Products in Family](#)

**TECHSPEC® 50mm VIS-NIR Coated, N-BK7 Right Angle Prism (Leg Coated)**



Stock #84-520 **1 In Stock**

- 1 + MRP ₹29,561

**i** Price inclusive of all taxes

**ADD TO CART**

Volume Pricing	
Qty 1-5	₹29,561 each
Qty 6-25	₹23,710 each
Qty 26-49	₹22,801 each
Need More?	<a href="#">Request Quote</a>

Product Downloads

**General**

Right Angle Prism **Type:**  
Coating on Entrance/Exit Faces **Note:**

**Physical & Mechanical Properties**

+0.00/-0.10 **Dimensional Tolerance (mm):**

Protective as needed	<b>Bevel:</b>
90	<b>Clear Aperture (%):</b>
70.70	<b>Length of Hypotenuse (mm):</b>
50.00	<b>Length of Legs (mm):</b>
<b>Optical Properties</b>	
±15	<b>Angle Tolerance (arcsec):</b>
VIS-NIR (400-1000nm)	<b>Coating:</b>
<b>N-BK7</b>	<b>Substrate:</b> <input type="checkbox"/>
40-20	<b>Surface Quality:</b>
Left-Handed	<b>Image Orientation:</b>
<b>Coating Specification:</b> Entrance/Exit Faces: $R_{\text{abs}} \leq 0.25\%$ @ 880nm $R_{\text{avg}} \leq 1.25\%$ @ 400 - 870nm $R_{\text{avg}} \leq 1.25\%$ @ 890 - 1000nm	
90	<b>Ray Deviation (°):</b>
400 - 1000	<b>Wavelength Range (nm):</b>
<b>Damage Threshold, By Design:</b> <input type="checkbox"/> Entrance/Exit Faces: $5 \text{ J/cm}^2$ @ 532nm, 10ns	
1.25	<b>Power (fringes) @ 632.8nm:</b>
0.25	<b>Irregularity (fringes) @ 632.8nm:</b>

<b>Regulatory Compliance</b>	
<b>Compliant</b>	<b>RoHS 2015:</b>
<b>View</b>	<b>Certificate of Conformance:</b>
<b>Compliant</b>	<b>Reach 235:</b>
Singapore	<b>Country of Origin:</b>
<b>Imported By:</b> Edmund Optics India Private Limited 267, Greystone Building, Second Floor, 6th Cross Rd, Binnamangala, Stage 1, Indiranagar, Bengaluru, Karnataka, India 560038 Phone: +91- 80-6845 0000	

## Need different specs or modifications?

Edmund Optics offers comprehensive custom manufacturing services for optical and imaging components tailored to your specific application requirements. Whether in the prototyping phase or preparing for full-scale production, we provide flexible solutions to meet your needs. Our experienced engineers are here to assist—from concept to completion.

Our capabilities include:

- Custom dimensions, materials, coatings, and more
- High-precision surface quality and flatness
- Tight tolerances and complex geometries
- Scalable production—from prototype to volume

Learn more about our [custom manufacturing capabilities](#) or submit an inquiry [here](#).

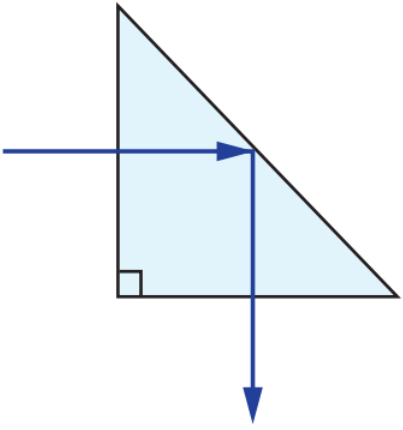
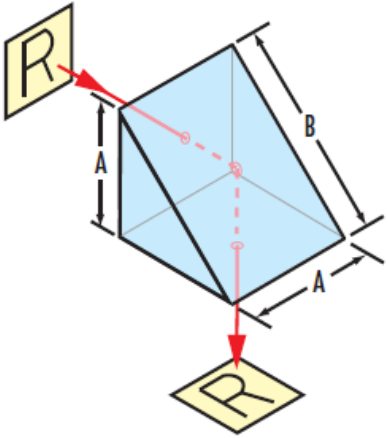
## Product Details

- Ideal for Low Power Laser Sources
- Multiple BBAR Coatings Available
- Ray Deviation of 90°

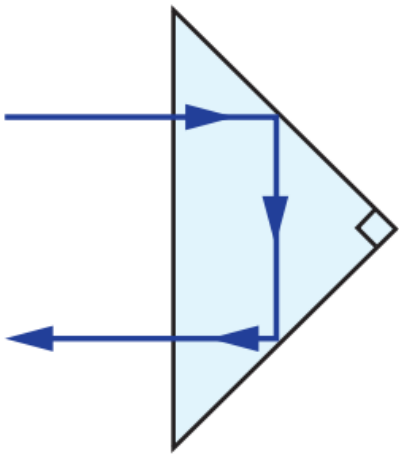
TECHSPEC® Broadband Anti-Reflection (BBAR) Coated N-BK7 Right Angle Prisms (Leg Coated) are ideal for a range of low power laser line applications. These prisms feature tight angle tolerances and a precision N-BK7 substrate. The BBAR coating improves transmission efficiency when compared to uncoated right angle prisms. TECHSPEC® Broadband Anti-Reflection (BBAR) Coated N-BK7 Right Angle Prisms (Leg Coated) have their BBAR coating on entrance and exit faces. The prisms are available in lengths from 5 to 50mm.

Right angle prisms are generally used to bend image paths or redirect light at 90°. This produces a left-handed image and depending on the orientation of the prism, the image may be inverted or reverted. Right angle prisms can also be used in combination for image/beam displacement.

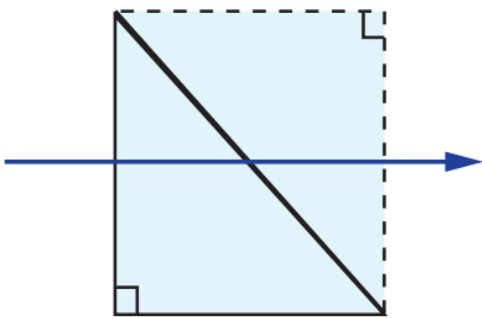
## Technical Information



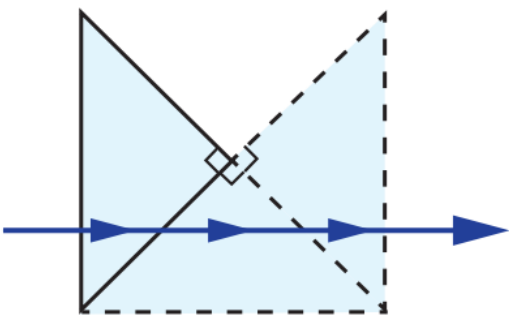
*Right Angle Prism Ray Path*



*Right Angle Prism Ray Path*



*Right Angle Prism Tunnel Diagram*



*Right Angle Prism Tunnel Diagram*

## Coating Curves