

**TECHSPEC® 50mm Diameter, T-Mount Thin Optic Mount**



50mm Diameter, T-Mount Thin Lens Mount, #88-943



Stock **#88-943** **20+ In Stock**

⊖ 1 ⊕ ₹7,188

**ADD TO CART**

Volume Pricing	
Qty 1-4	₹7,188 each
Qty 5-9	₹6,249 each
Qty 10-25	₹5,743 each
Need More?	<a href="#">Request Quote</a>

Product Downloads

**SPECIFICATIONS**

**General**

Type:

Fixed

Circular

Type of Optics:

Optic Mount (Fixed)

Function:

## Physical & Mechanical Properties

22.0 Extension Length (mm):

Black Anodized Aluminum (6061 T6) Construction:

25.45 Total Length (mm):

53.0 Outer Diameter (mm):

38.0 Clear Aperture CA (mm):

10.0 Max. Thickness of Compatible Optics (mm):

2.0 Min. Thickness of Compatible Optics (mm):

## Threading & Mounting

50.0 Diameter of Compatible Optics (mm):

T-Mount Thread Type:

## Regulatory Compliance

Compliant RoHS 2015:

View Certificate of Conformance:

Compliant REACH 241:

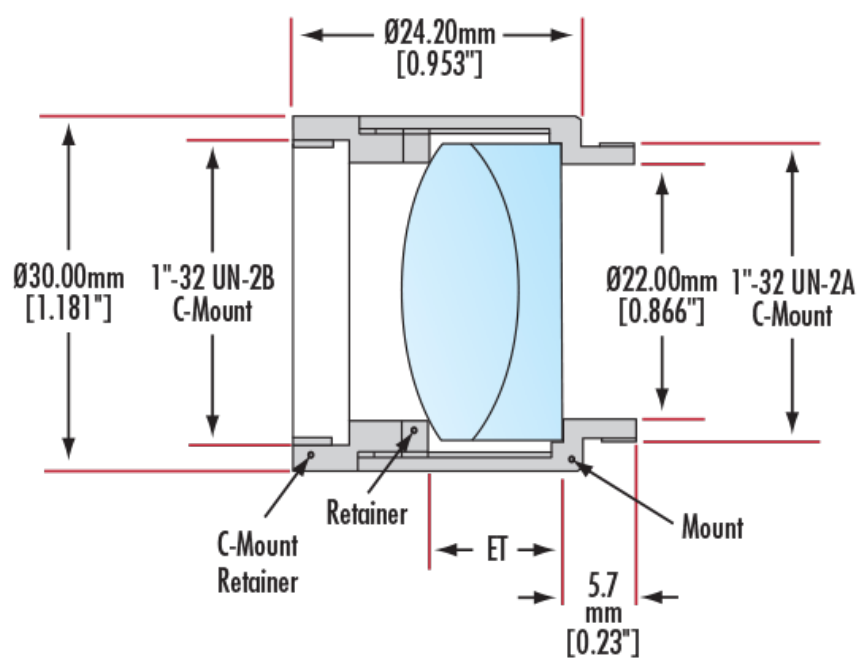
## PRODUCT DETAILS

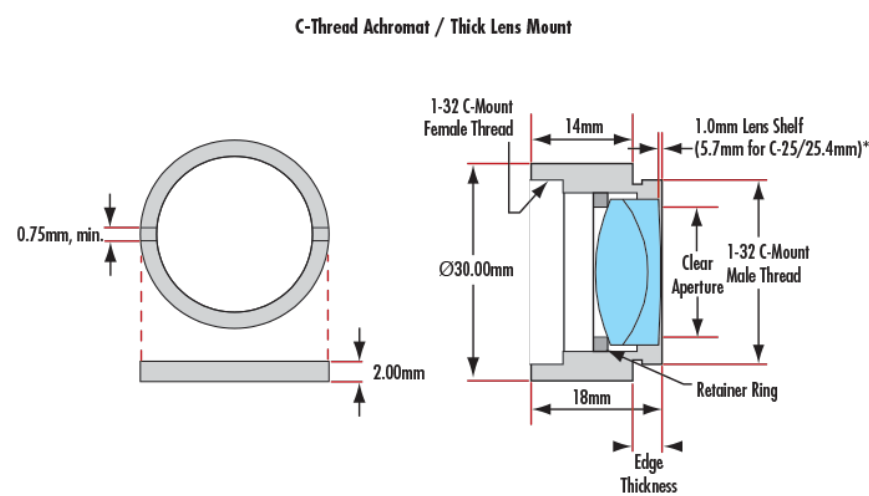
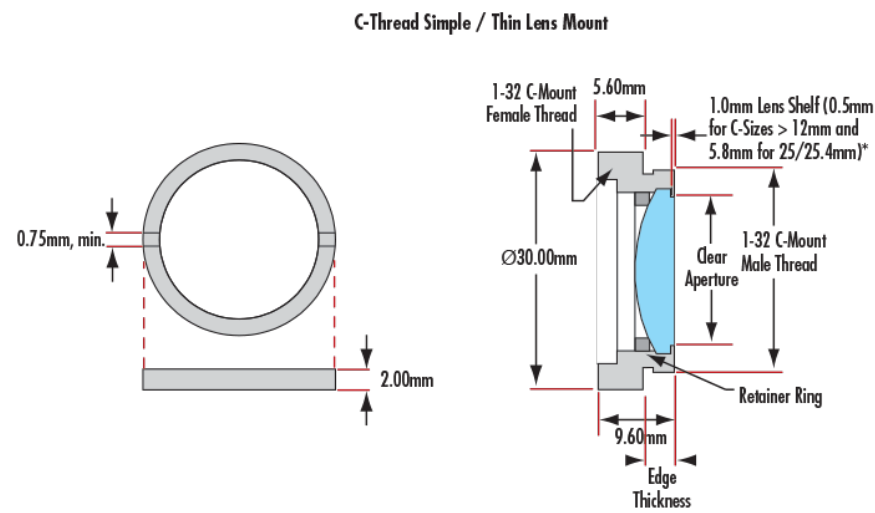
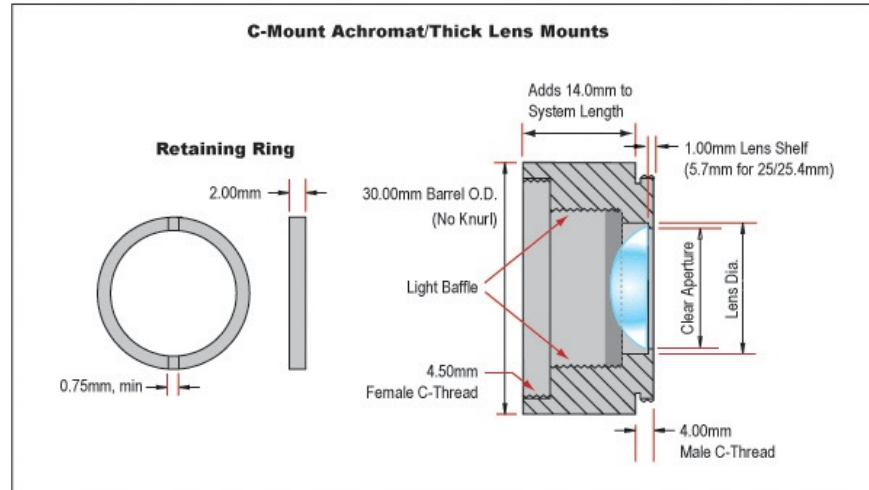
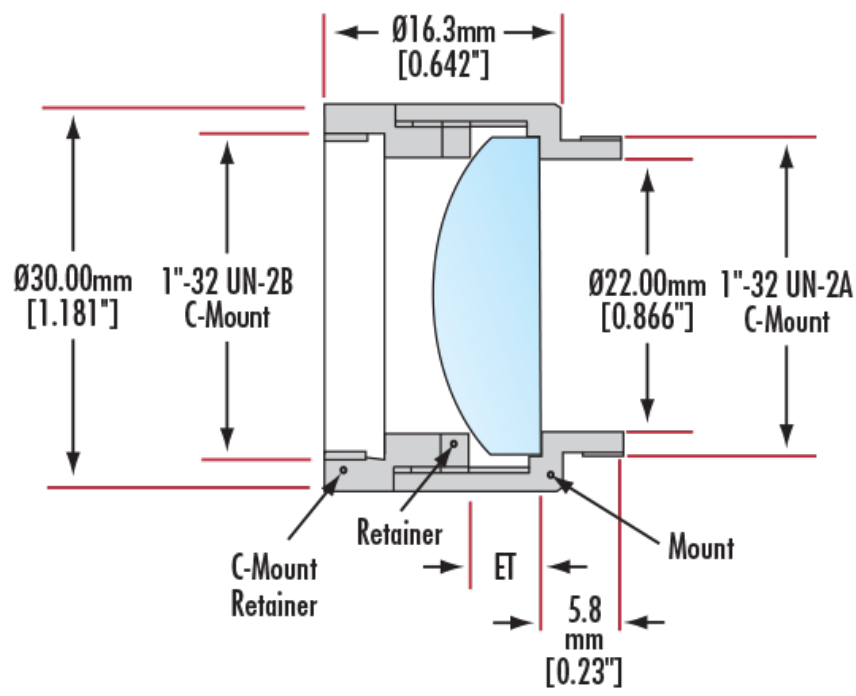
- Mounts for Simple Lenses, Achromats, Filters, or Reticles
- Designed to Integrate with Any C, S, or T-Mount Components
- Optic is Held in Place with Included Retaining Ring

TECHSPEC® C, S, and T-Mount Circular Optic Mounts are designed to mount a variety of circular optical components into C, S, or T-Mount compatible systems. An included threaded retainer ring, designed to accept a standard spanner wrench, securely holds the optical component. These circular optic mounts are compatible with a wide variety of Edmund Optics optomechanical components utilizing C, S, or T-Mount threads, such as [extension tubes](#) and [kinematic mounts](#). TECHSPEC® C, S, and T-Mount Circular Optic Mounts are threaded for 1" x 32TPI, M12 x 0.5, or M42 x 0.75 mounting, with 30mm, 16mm, and 48mm outer diameters, respectively. These mounts are ideal for creating and personalization of a diverse range of optical systems.

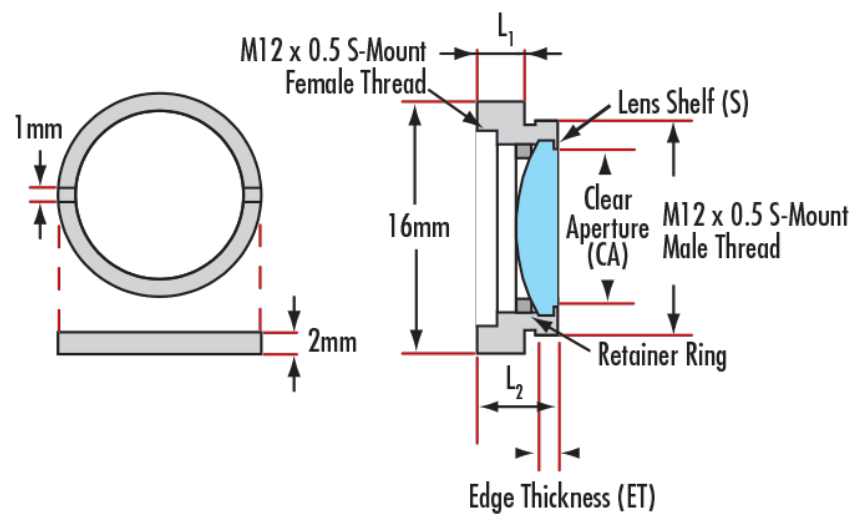
**Note:** #56-353, #56-354, #52-933, and #52-292 are all 3-part assemblies

## TECHNICAL INFORMATION

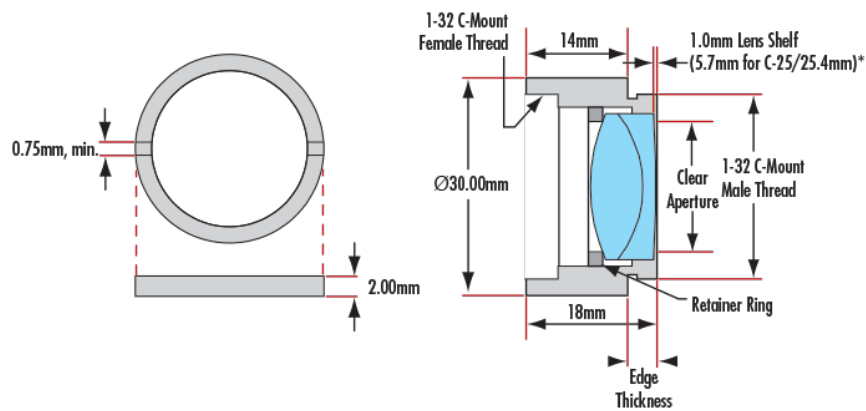




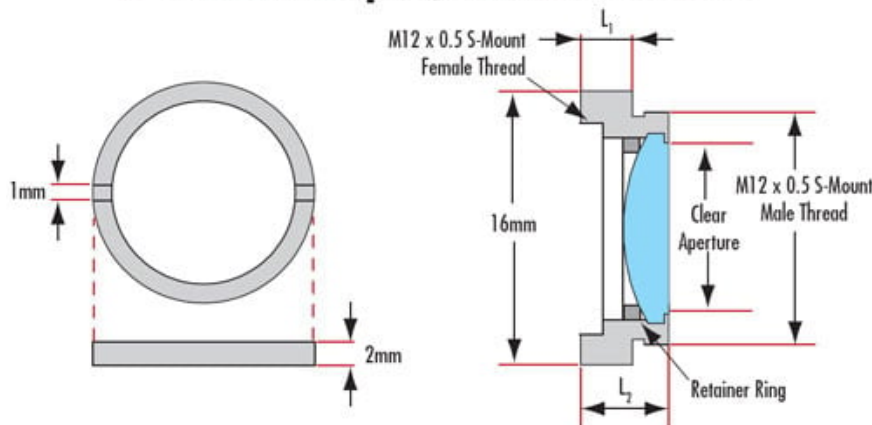
**S-Thread Simple / Thin Lens Mount**



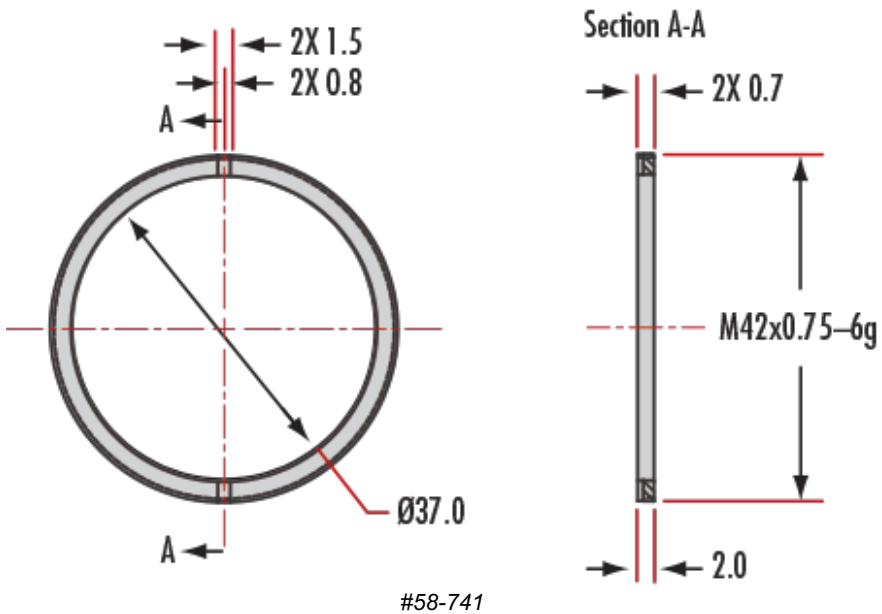
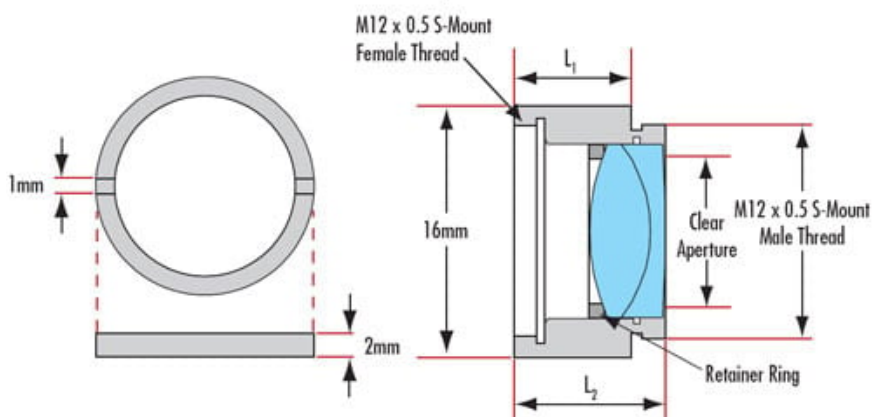
C-Thread Achromat / Thick Lens Mount



S-Thread Simple /Thin Lens Mount



S-Thread Achromat / Thick Lens Mount



#58-741