

[See all 57 Products in Family](#)

**TECHSPEC® 50mm Diameter, T-Mount Thin Optic Mount**



50mm Diameter, T-Mount Thin Lens Mount, #88-943



Stock #88-943 **13 In Stock**

- 1 + MRP ₹10,392

● Price inclusive of all taxes

**ADD TO CART**

| Volume Pricing |                               |
|----------------|-------------------------------|
| Qty 1-4        | ₹10,392 each                  |
| Qty 5-9        | ₹9,040 each                   |
| Qty 10-25      | ₹8,313 each                   |
| Need More?     | <a href="#">Request Quote</a> |

Product Downloads

**General**

Fixed **Type:**

Optic Mount (Fixed) **Function:**

Circular **Type of Optics:**

## Physical & Mechanical Properties

22.0 **Extension Length (mm):**

25.45 **Total Length (mm):**

2.0 **Min. Thickness of Compatible Optics (mm):**

10.0 **Max. Thickness of Compatible Optics (mm):**

38.0 **Clear Aperture CA (mm):**

Black Anodized Aluminum (6061 T6) **Construction:**

53.0 **Outer Diameter (mm):**

## Threading & Mounting

T-Mount **Thread Type:**

50.0 **Diameter of Compatible Optics (mm):**

## Regulatory Compliance

**Compliant** **RoHS 2015:**

**View** **Certificate of Conformance:**

**Compliant** **REACH 241:**

China **Country of Origin:**

**Imported By:**  
Edmund Optics India Private Limited  
267, Greystone Building, Second Floor,  
6th Cross Rd, Binnamangala,  
Stage 1, Indiranagar, Bengaluru,  
Karnataka, India 560038  
Phone: +91- 80-6845 0000

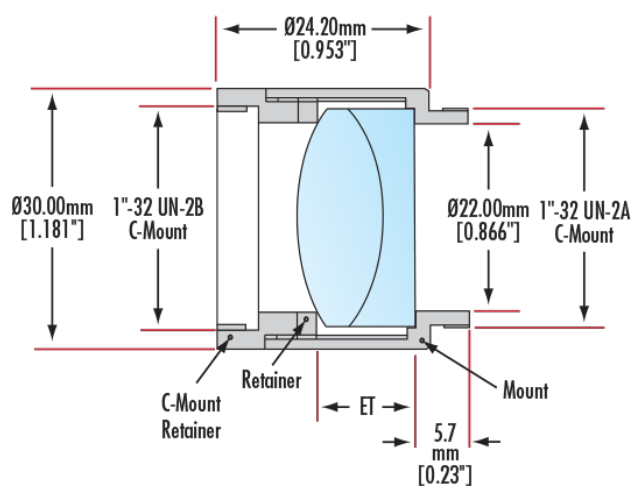
## Product Details

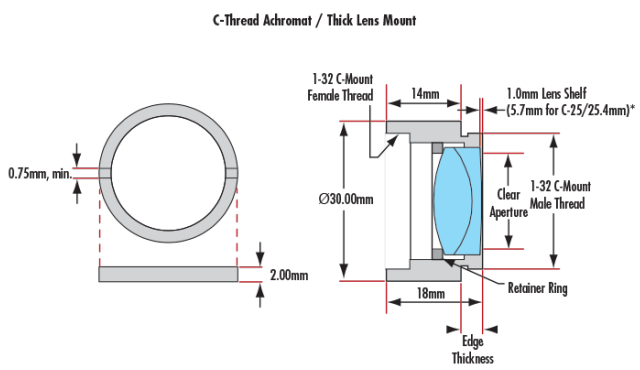
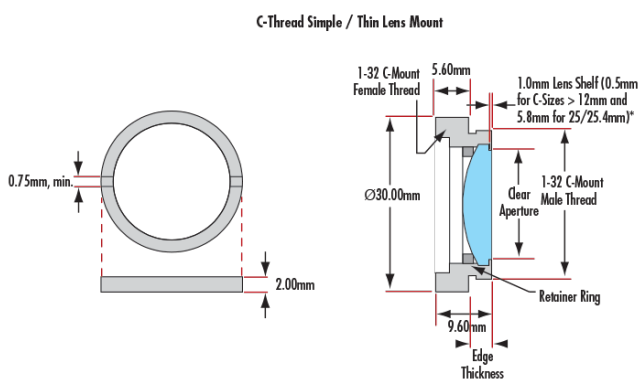
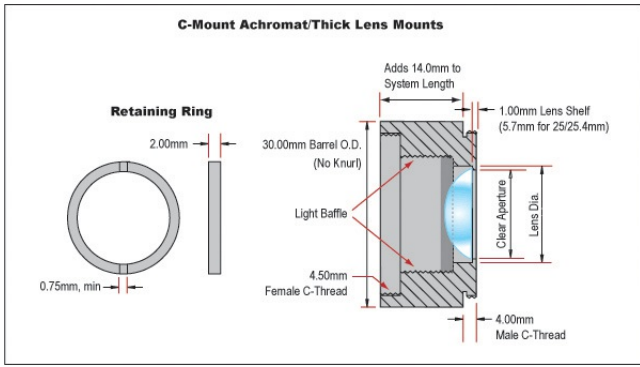
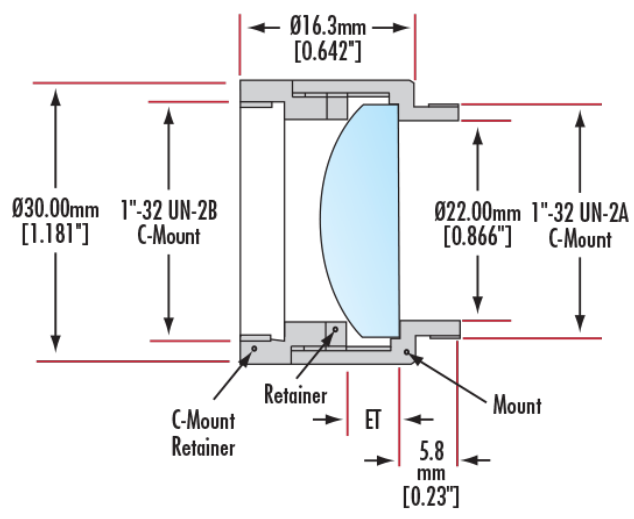
- Mounts for Simple Lenses, Achromats, Filters, or Reticles
- Designed to Integrate with Any C, S, or T-Mount Components
- Optic is Held in Place with Included Retaining Ring

TECHSPEC® C, S, and T-Mount Circular Optic Mounts are designed to mount a variety of circular optical components into C, S, or T-Mount compatible systems. An included threaded retainer ring, designed to accept a standard spanner wrench, securely holds the optical component. These circular optic mounts are compatible with a wide variety of Edmund Optics optomechanical components utilizing C, S, or T-Mount threads, such as [extension tubes](#) and [kinematic mounts](#). TECHSPEC® C, S, and T-Mount Circular Optic Mounts are threaded for 1" x 32 TPI, M12 x 0.5, or M42 x 0.75 mounting, with 30mm, 16mm, and 48mm outer diameters, respectively. These mounts are ideal for creating and personalization of a diverse range of optical systems.

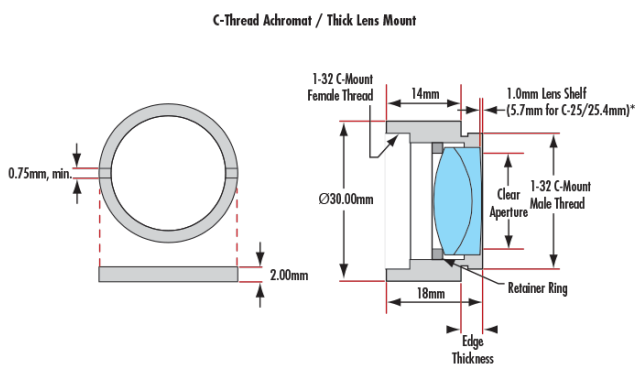
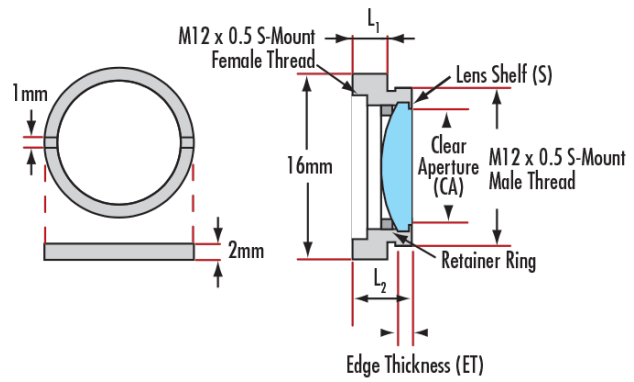
**Note:** #56-353, #56-354, #52-933, and #52-292 are all 3-part assemblies

## Technical Information

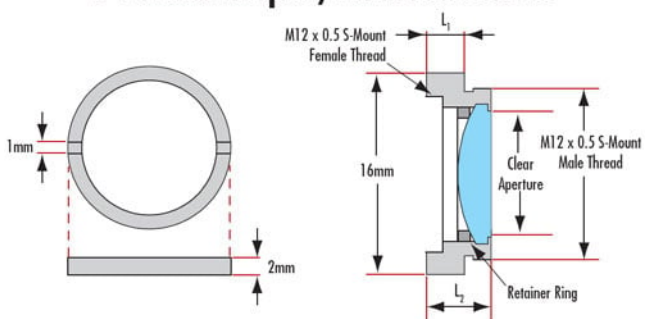




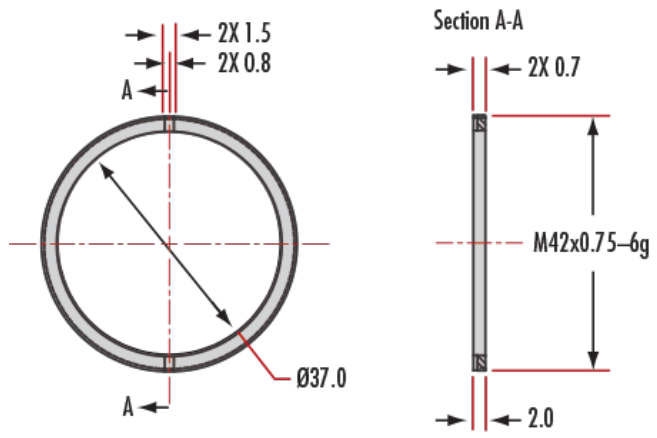
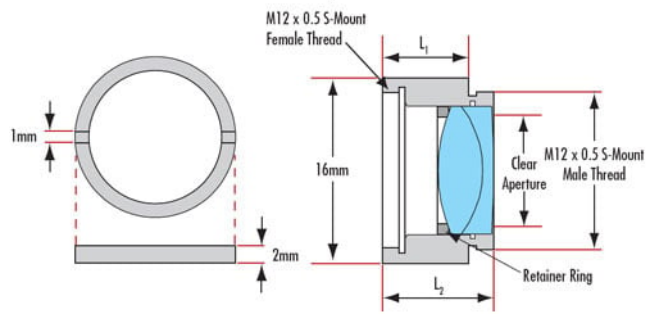
**S-Thread Simple / Thin Lens Mount**



**S-Thread Simple /Thin Lens Mount**



# S-Thread Achromat / Thick Lens Mount



#58-741