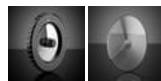


[See all 10 Products in Family](#)

## 50mm Diameter Substrate for Circular Variable Filter



Mounted Circular Variable Neutral Density (ND) Filters



Stock #47-376 CLEARANCE **20+ In Stock**

MRP ₹6,760

Price inclusive of all taxes

**ADD TO CART**

Volume Pricing	
Qty 1-10	₹6,760 each
Qty 11-25	₹6,104 each
Qty 26-49	₹5,801 each
Need More?	<a href="#">Request Quote</a>

### Product Downloads

### Physical & Mechanical Properties

7.5 Inner Diameter (mm):

50.00 Outer Diameter (mm):

Thickness (mm):

1.52

Parallelism (arcmin):

±3

## Optical Properties

Substrate: □

B270

Surface Quality:

60-40

## Regulatory Compliance

Certificate of Conformance:

[View](#)

Country of Origin:

United States

Imported By:

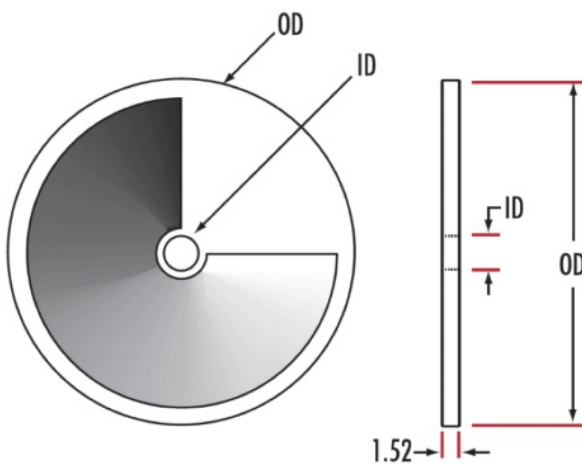
Edmund Optics India Private Limited  
267, Greystone Building, Second Floor,  
6th Cross Rd, Binnamangala,  
Stage 1, Indiranagar, Bengaluru,  
Karnataka, India 560038  
Phone: +91- 80-6845 0000

## Product Details

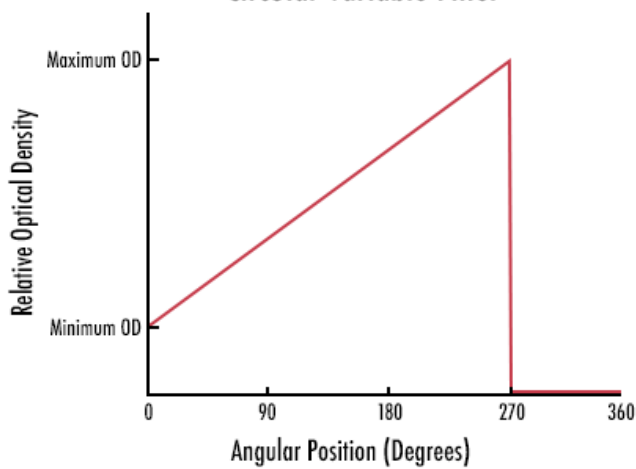
- Continuously Variable Over 270°
- Spectrally Flat from 400-700nm
- Mounted and Unmounted Versions Available

Circular Variable Neutral Density (ND) Filters are continuously variable over 270° of the filter. These filters provide linear attenuation of incident light by rotating the filter. Designed to be spectrally flat from 400 to 700nm, they provide excellent attenuation for spectrometers and other optical instruments. Circular Variable Neutral Density (ND) Filters, with a durable anodized aluminum mount, have an indicator arrow that accurately identifies the angular position of the filter for increased repeatability. The 50mm OD filters are available mounted or unmounted. The 360° rotating mount comes complete with a 4" Length, 0.5" Diameter stainless steel post.

## Technical Information



Circular Variable Filter



Optical Density	Unmounted			Mounted
	25.4mm Outer Diameter (OD) 7.5mm Inner Diameter (ID)	50.0mm Outer Diameter (OD) 7.5mm Inner Diameter (ID)	100.0mm Outer Diameter (OD) 25.4mm Inner Diameter (ID)	50.0mm Outer Diameter (OD) 7.5mm Inner Diameter (ID)
0.04-1.0	<a href="#">#43-759</a>	<a href="#">#43-763</a>	<a href="#">#43-767</a>	<a href="#">#54-534</a>
0.04-2.0	<a href="#">#43-760</a>	<a href="#">#43-764</a>	<a href="#">#43-768</a>	<a href="#">#54-535</a>
0.04-3.0	<a href="#">#43-761</a>	<a href="#">#43-765</a>	<a href="#">#43-769</a>	<a href="#">#54-536</a>
0.04-4.0	<a href="#">#43-762</a>	<a href="#">#43-766</a>	<a href="#">#43-770</a>	<a href="#">#54-537</a>

