

[See all 7 Products in Family](#)

50.0/50.8mm Optic Dia., Kinematic Mirror Mount with Micrometer



Stock #56-326 [CONTACT US](#)

- 1 + MRP ₹39,045

i Price inclusive of all taxes

ADD TO CART

Volume Pricing

Qty 1-4	₹39,045 each
Qty 5+	₹37,107 each
Need More?	Request Quote

Product Downloads

General

Adjustable - Tip-Tilt **Type:**

Circular **Type of Optics:**

Available in Quick Start Kit: [#17-520](#) **Note:**

Micrometer **Type of Adjustment Screws:**

Physical & Mechanical Properties

Physical & Mechanical Properties

47.0	Clear Aperture CA (mm):
±2	Fine Tilt Angle (°):
±2	Fine Tip Angle (°):
3.0	Min. Thickness of Compatible Optics (mm):

Threading & Mounting

50.0 - 50.8	Size of Compatible Optics (mm):
M6 x 1.0	Compatible Post:

Regulatory Compliance

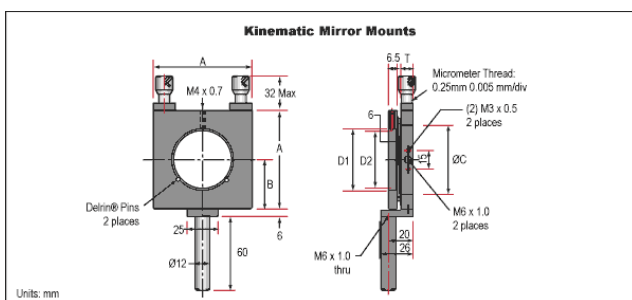
Exempt	RoHS 2015:
View	Certificate of Conformance:
Contains SVHC(s)	Reach 247:
Japan	Country of Origin:
Edmund Optics India Private Limited 267, Greystone Building, Second Floor, 6th Cross Rd, Binnamangala, Stage 1, Indiranagar, Bengaluru, Karnataka, India 560038 Phone: +91- 80-6845 0000	Imported By:

Product Details

- Micrometer or Lead Screw Driven Tip-Tilt Adjustment
- Color Coded Knobs for Tip and Tilt
- Set Screws and Delrin® Pads Hold Optical Component in Place
- [Posts](#) and [Post Holders](#) Required for Mounting

Top Adjustment Kinematic Mounts attach to posts or other optomechanics to securely hold optical components in place. Micrometers or adjustment screws are positioned at the top of the mounts to avoid interfering with system placement. The M6 mounting hole is positioned to where the first surface of the mounted mirror is as close to the post centerline as possible. Top Adjustment Kinematic Mounts are constructed of black anodized aluminum. [Posts](#) and [Post Holders](#) are required for mounting to a breadboard.

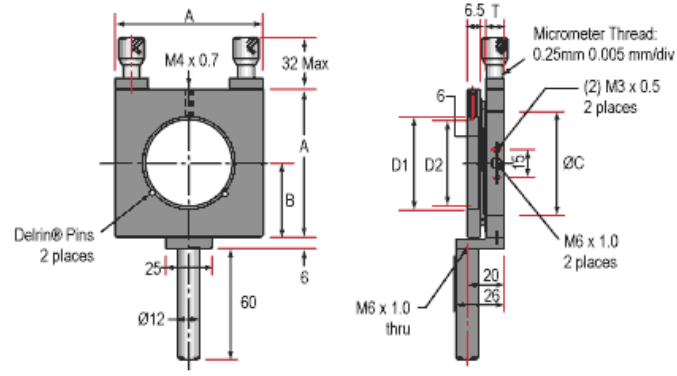
Technical Information



Optic Diameter D1 (mm)	Clear Aperture, D2 (mm)	A (mm)	B (mm)	C (mm)	Stock No.
25.00	22.00	60.00	30.00	36.00	#56-327
					#56-238*
25.40	22.00	60.00	30.00	36.00	#55-003
					#55-456*
50.80	47.00	80.00	40.00	56.00	#55-005
					#56-326*
50.00	47.00	80.00	40.00	56.00	#55-457*

* with micrometer

Kinematic Mirror Mounts



Units: mm