

[See all 20 Products in Family](#)

## 50.8mm Optic Dia., Optic Mount



Optic Component Mounts

Stock **#64-569** **20+ In Stock**

1  MRP ₹4,969

Price inclusive of all taxes

**ADD TO CART**

### Volume Pricing

|            |                               |
|------------|-------------------------------|
| Qty 1-9    | ₹4,969 each                   |
| Qty 10+    | ₹4,479 each                   |
| Need More? | <a href="#">Request Quote</a> |

### Product Downloads

### General

Fixed **Type:**

Circular **Type of Optics:**

### Physical & Mechanical Properties

46.0 **Clear Aperture CA (mm):**

|                         |  |
|-------------------------|--|
| 70.0                    | <b>Outer Diameter (mm):</b>                      |
| 18.00                   | <b>Thickness (mm):</b>                           |
| Black Anodized Aluminum | <b>Construction:</b>                             |
| 12.00                   | <b>Max. Thickness of Compatible Optics (mm):</b> |

### Threading & Mounting

|                  |  |
|------------------|--|
| 50.8             | <b>Size of Compatible Optics (mm):</b> |
| M6 x 1.0, 1/4-20 | <b>Compatible Post:</b>                |

### Regulatory Compliance

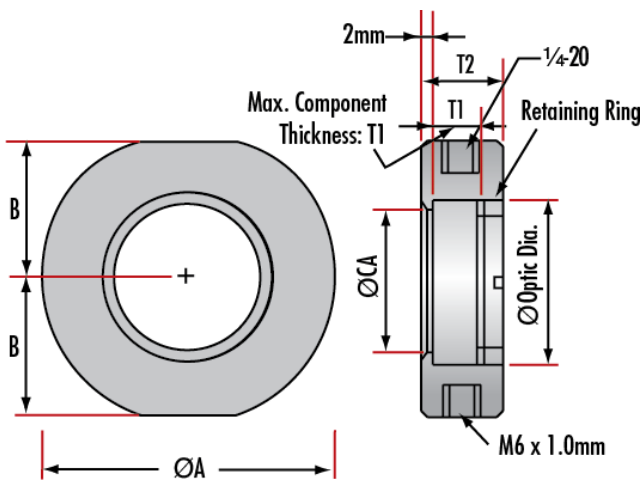
|   |                                    |
|---|------------------------------------|
| <a href="#">Compliant</a>   | <b>RoHS 2015:</b>                  |
| <a href="#">View</a>  | <b>Certificate of Conformance:</b> |
| <a href="#">Compliant</a>   | <b>Reach 247:</b>                  |
| Japan   | <b>Country of Origin:</b>          |
| Edmund Optics India Private Limited<br>267, Greystone Building, Second Floor,<br>6th Cross Rd, Binnamangala,<br>Stage 1, Indiranagar, Bengaluru,<br>Karnataka, India 560038<br>Phone: +91- 80-6845 0000 | <b>Imported By:</b>                |

### Product Details

- Simple Mounting Arrangement
- Metric and English Configurations
- Black Anodized Aluminum Construction
- [Posts](#) and [Post Holders](#) Required for Mounting

Optic Component Mounts are designed to hold lenses, filters, mirrors, and other optical components. The included retainer ring securely holds the component in place. Optic Component Mounts need the required [posts](#) and [post holders](#) for mounting to a breadboard. Both English (1/4-20) and Metric (M6) standard posts are accepted by the mounts. These mounts are constructed of black anodized aluminum in a simple mounting arrangement.

### Technical Information



| Maximum Optic Diameter | Clear Aperture (CA) | Mount Diameter A | B    | Maximum Optic Thickness T1 | Mount Thickness T2 | Stock No.               |
|------------------------|---------------------|------------------|------|----------------------------|--------------------|-------------------------|
| 5                      | 4                   | 30               | 13.5 | 5.7                        | 12                 | <a href="#">#64-551</a> |
| 6                      | 5                   | 30               | 13.5 | 5.7                        | 12                 | <a href="#">#64-552</a> |
| 9                      | 6                   | 30               | 13.5 | 6                          | 12                 | <a href="#">#64-553</a> |
| 10                     | 7                   | 30               | 13.5 | 6                          | 12                 | <a href="#">#64-554</a> |
| 12                     | 9                   | 35               | 16.0 | 10                         | 16                 | <a href="#">#64-555</a> |
| 12.7                   | 9.5                 | 35               | 16.0 | 10                         | 16                 | <a href="#">#64-556</a> |
| 15                     | 12                  | 35               | 16.0 | 10                         | 16                 | <a href="#">#64-557</a> |
| 18                     | 15                  | 40               | 19.0 | 12                         | 18                 | <a href="#">#64-558</a> |
| 20                     | 17                  | 40               | 19.0 | 12                         | 18                 | <a href="#">#64-559</a> |
| 25                     | 22                  | 45               | 21.5 | 10                         | 16                 | <a href="#">#64-560</a> |
| 25.4                   | 22                  | 45               | 21.5 | 10                         | 16                 | <a href="#">#64-561</a> |
| 25.4                   | 22                  | 45               | 21.5 | 13                         | 19                 | <a href="#">#65-562</a> |

|      |    |     |      |    |    |         |
|------|----|-----|------|----|----|---------|
| 30   | 26 | 50  | 24.0 | 6  | 12 | #64-563 |
| 30   | 26 | 50  | 24.0 | 12 | 18 | #64-564 |
| 38.1 | 34 | 60  | 29.0 | 12 | 18 | #64-565 |
| 40   | 36 | 60  | 29.0 | 12 | 18 | #64-566 |
| 50   | 46 | 70  | 34.0 | 12 | 18 | #64-567 |
| 50   | 46 | 70  | 34.0 | 18 | 24 | #64-568 |
| 50.8 | 46 | 70  | 34.0 | 12 | 28 | #64-569 |
| 76.2 | 71 | 100 | 49   | 20 | 26 | #64-570 |

