

**TECHSPEC® 50.8mm Dia. x 200mm FL, 266nm Coated, Laser Grade PCX Lens**



TECHSPEC Laser Grade PCXLenses

Stock **#70-015** **3 In Stock**

[Other Coating Options](#)

MRP ₹43,988

Price inclusive of all taxes

**ADD TO CART**

Volume Pricing	
Qty 1-5	₹43,988 each
Qty 6-25	₹35,110 each
Qty 26-49	₹32,185 each
Need More?	<a href="#">Request Quote</a>

Product Downloads

**General**

Plano-Convex Lens **Type:**

**Physical & Mechanical Properties**

50.80 +0.00/-0.025 **Diameter (mm):**

<1	<b>Centering (arcmin):</b>
8.00	<b>Center Thickness CT (mm):</b>
4.41	<b>Edge Thickness ET (mm):</b>
45.72	<b>Clear Aperture CA (mm):</b>
Protective as needed	<b>Bevel:</b>
<b>Optical Properties</b>	
200.00 @ 355nm	<b>Effective Focal Length EFL (mm):</b>
194.515	<b>Back Focal Length BFL (mm):</b>
Laser V-Coat (266nm)	<b>Coating:</b>
R <sub>abs</sub> <0.25% @ 266nm	<b>Coating Specification:</b>
<b>Fused Silica</b> (Corning 7980)	<b>Substrate:</b> <input type="checkbox"/>
10-5	<b>Surface Quality:</b>
λ	<b>Power (P-V) @ 632.8nm:</b>
M10 ±1	<b>Irregularity (P-V) @ 632.8nm:</b>
91.69	<b>Radius R<sub>1</sub> (mm):</b>
3.94	<b>f/#:</b>
0.13	<b>Numerical Aperture NA:</b>
266	<b>Design Wavelength DWL (nm):</b>
3 J/cm <sup>2</sup> @ 266nm, 20ns, 20Hz	<b>Damage Threshold, By Design:</b> <input type="checkbox"/>

## Regulatory Compliance

<a href="#">View</a>	<b>Certificate of Conformance:</b>
United States	<b>Country of Origin:</b>
Edmund Optics India Private Limited 267, Greystone Building, Second Floor, 6th Cross Rd, Binnamangala, Stage 1, Indiranagar, Bengaluru, Karnataka, India 560038 Phone: +91- 80-6845 0000	<b>Imported By:</b>

## Need different specs or modifications?

Edmund Optics offers comprehensive custom manufacturing services for optical and imaging components tailored to your specific application requirements. Whether in the prototyping phase or preparing for full-scale production, we provide flexible solutions to meet your needs. Our experienced engineers are here to assist—from concept to completion.

Our capabilities include:

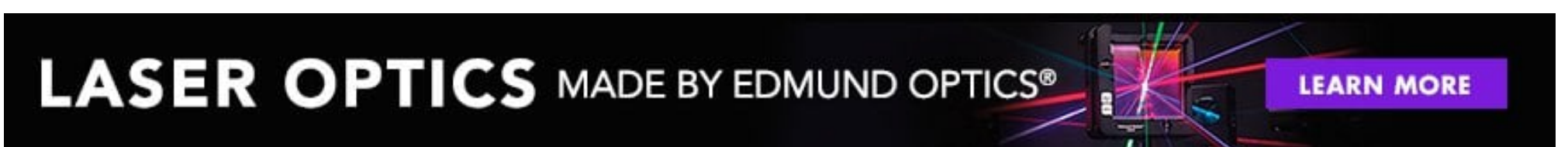
- Custom dimensions, materials, coatings, and more
- High-precision surface quality and flatness
- Tight tolerances and complex geometries
- Scalable production—from prototype to volume

Learn more about our [custom manufacturing capabilities](#) or submit an inquiry [here](#).

## Product Details

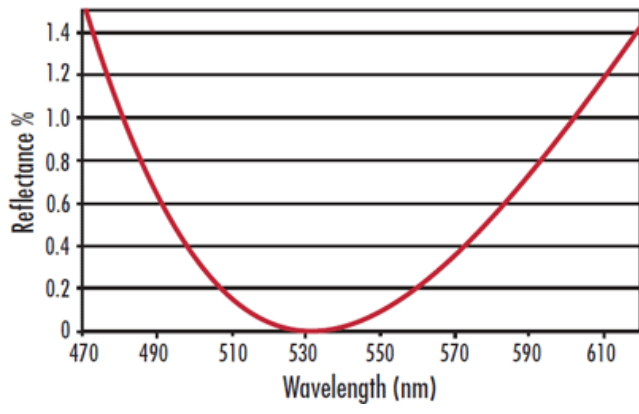
- Guaranteed Laser Damage Threshold
- 10-5 Surface Quality
- M10 Surface Accuracy

TECHSPEC® Laser Grade PCX Lenses are designed for high energy Nd:YAG laser applications including laser cutting, machining, and welding. The precision fused silica substrate, featuring M10 surface accuracy and 10-5 surface quality, ensures low scatter and excellent transmitted wavefront performance. TECHSPEC® Laser Grade PCX Lenses are available uncoated or with a variety of high laser damage threshold anti-reflection (AR) coating options. Coatings are available at the most common Nd:YAG laser wavelengths to ensure maximum laser throughput.

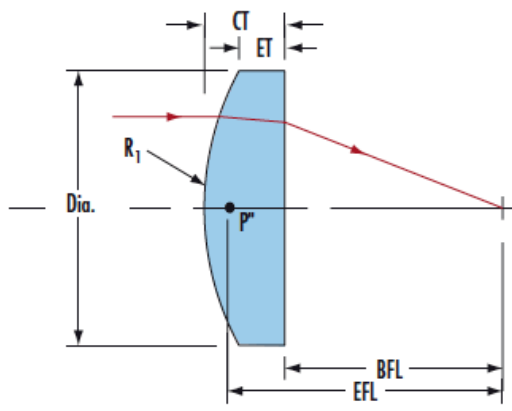
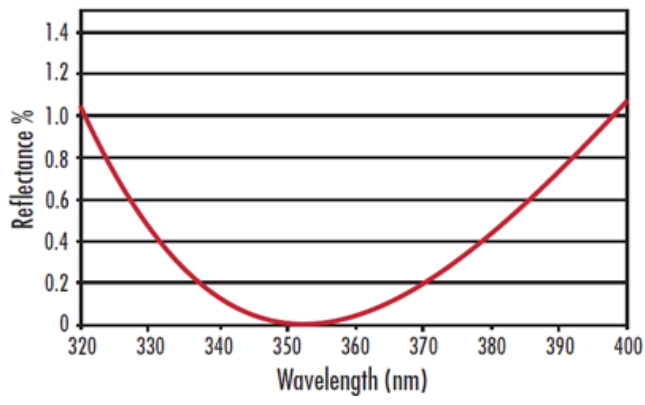


# Technical Information

**532nm V-Coat**  
 $R_{(obs)} < 0.25\% @ 532nm$



**355nm V-Coat**  
 $R_{(obs)} < 0.25\% @ 355nm$



**1064nm V-Coat**  
 $R_{(obs)} < 0.25\% @ 1064nm$

