

[See all 27 Products in Family](#)

## 50.8mm Clear Aperture 50R/50T, Pellicle Beamsplitter



Pellicle Beamsplitters

Stock #39-485 [CONTACT US](#)

1 MRP ₹42,172

Price inclusive of all taxes

**ADD TO CART**

### Volume Pricing

|            |                               |
|------------|-------------------------------|
| Qty 1-10   | ₹42,172 each                  |
| Qty 11-25  | ₹35,715 each                  |
| Qty 26+    | ₹31,176 each                  |
| Need More? | <a href="#">Request Quote</a> |

### Product Downloads

### General

Pellicle Beamsplitter **Type:**

### Physical & Mechanical Properties

50.8 **Clear Aperture CA (mm):**

**Construction:**

|                         |                        |
|-------------------------|------------------------|
| Pellicle                |                        |
| 63.50                   | <b>Diameter (mm):</b>  |
| Black Anodized Aluminum | <b>Housing:</b>        |
| 2 +0.3/-0.0             | <b>Thickness (µm):</b> |

## Optical Properties

|                 |   |
|-----------------|---|
| Dielectric      | <b>Coating:</b>                             |
| 50/50 @ 632.8nm | <b>Coating Specification:</b>               |
| 632.8           | <b>Design Wavelength DWL (nm):</b>          |
| 1.5             | <b>Index of Refraction (n<sub>d</sub>):</b> |
| 50/50 ±5%       | <b>Reflection/Transmission Ratio (RT):</b>  |
| Nitrocellulose  | <b>Substrate:</b> □                         |
| 40-20           | <b>Surface Quality:</b>                     |

## Threading & Mounting

|      |                              |
|------|------------------------------|
| 6.35 | <b>Mount Thickness (mm):</b> |
| 2-56 | <b>Mounting Threads:</b>     |

## Regulatory Compliance

|  |                                    |
|--|------------------------------------|
| <a href="#">Compliant</a>  | <b>RoHS 2015:</b>                  |
| <a href="#">View</a>   | <b>Certificate of Conformance:</b> |
| <a href="#">Compliant</a>  | <b>REACH 241:</b>                  |
| United States  | <b>Country of Origin:</b>          |
| <b>Imported By:</b><br>Edmund Optics India Private Limited<br>267, Greystone Building, Second Floor,<br>6th Cross Rd, Binnamangala,<br>Stage 1, Indiranagar, Bengaluru,<br>Karnataka, India 560038<br>Phone: +91- 80-6845 0000 |                                    |

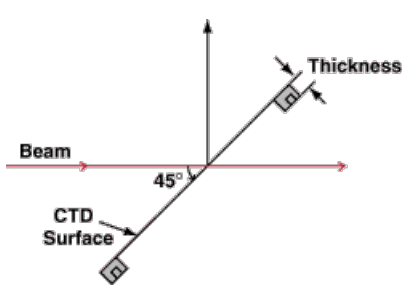
## Product Details

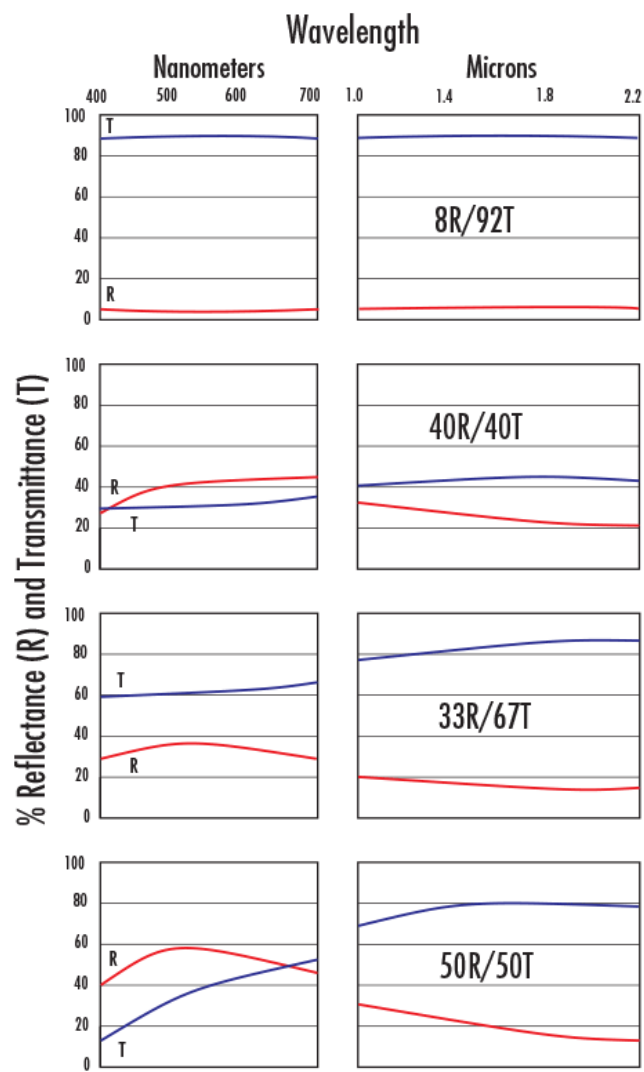
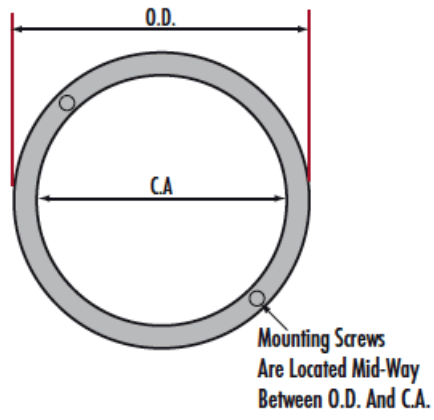
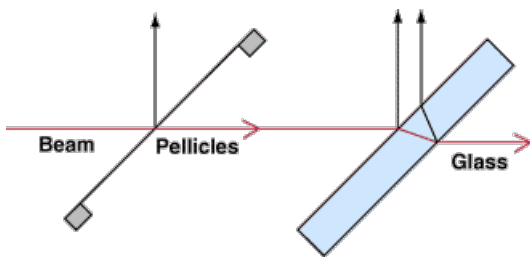
- No Ghost Images from Second Surface Reflections
- No Chromatic Aberration with Converging Beams
- No Change in Optical Path Length
- [Pellicle Beamsplitters for the Infrared \(IR\)](#) Also Available

Pellicle Beamsplitters are very thin nitrocellulose membranes bonded to lapped aluminum frames. They feature no ghost images from second surface reflections. To ease system integration, these beamsplitters offer mounting holes on the underside of the frame. Pellicle Beamsplitters are resistant to mechanical shock or climate variations but must be protected from dust and spray to avoid damage to the pellicle membrane. Please note, environments with a high level of humidity (>55%) can cause a temporary loss of tension in the pellicle membrane. The membrane will revert to normal tension if humidity is lowered.

**Note:** Extra care must be taken when handling.

## Technical Information





## Special Handling

These optics require special handling to avoid damage and ensure long-term performance. Proper handling, cleaning, and storage are essential to maintain optical quality. Explore our [Optics Cleaning Resources](#) for step-by-step guides and best practices. For personalized assistance, [Email us](#) or [Chat](#) with our technical support team.



Component Handling Tools

## Compatible Mounts