

[See all 12 Products in Family](#)

50.0mm w/ micrometer, Polarizer Mount



Stock #56-329 **20+ In Stock**

1 MRP ₹57,507

Price inclusive of all taxes

ADD TO CART

Volume Pricing

Qty 1-4	₹57,507 each
Qty 5-25	₹51,807 each
Qty 26-49	₹47,691 each
Need More?	Request Quote

Product Downloads

General

Adjustable - Rotary

Type:

Circular

Type of Optics:

Note:

Physical & Mechanical Properties47.0 **Clear Aperture CA (mm):**5 arcminutes **Increments:**360 **Coarse Rotation (°):**±4 **Fine Rotation (°):****Hardware & Interface Connectivity**Micrometer **Type of Drive:****Threading & Mounting**50.0 **Size of Compatible Optics (mm):**9.0 (Max.) **Thickness of Compatible Optics (mm):**M6 x 1.0 **Compatible Post:**Polarizer **Type of Mounting Optics:****Regulatory Compliance**[Exempt](#) **RoHS 2015:**[View](#) **Certificate of Conformance:**[Contains SVHC\(s\)](#) **Reach 247:**Japan **Country of Origin:**

Imported By:
 Edmund Optics India Private Limited
 267, Greystone Building, Second Floor,
 6th Cross Rd, Binnamangala,
 Stage 1, Indiranagar, Bengaluru,
 Karnataka, India 560038
 Phone: +91- 80-6845 0000

Product Details

- Coarse and Fine Movement Available
- Black Anodized Aluminum
- [Posts](#) and [Post Holders](#) Required for Mounting

Metric Polarizer Mounts feature secure optic retainer, lever arm for smooth rotation, locking knob for repeatability and 360° scaled vernier. [Posts](#) and [Post Holders](#) are required for mounting to a breadboard. Micrometer version provides fine adjustment. Metric Polarizer Mounts, for Micrometer Driven version only: total travel of the 0.25mm pitch fine adjustment screw is 10°. Total angular rotation per rotation of knob is 20 minutes. *40mm total including 34mm diameter mounting tube.

Technical Information

Diameter of Compatible Optics D	Clear Aperture CA	Drive Type	Mount Diameter A	Mount Thickness B	C	E	Stock No.
Standard							
20.0	17	Standard	50	19	34	24.0	#55-454
25.4	22	Micrometer	69	-	-	33.5	#55-011
25.4	22	Standard	60	20	42	29.5	#55-010
30.0	27	Micrometer	69	-	-	33.5	#57-570
30.0	27	Standard	60	20	42	29.5	#57-569
50.0	47	Micrometer	89	-	-	43.5	#56-329
50.0	47	Standard	80	20	62	39.5	#55-455
Glan-Thompson Polarizer Mounts							
25.4	18	Micrometer	69	-*	-	33.5	#57-572
25.4	18	Standard	60	20*	42	29.5	#57-571

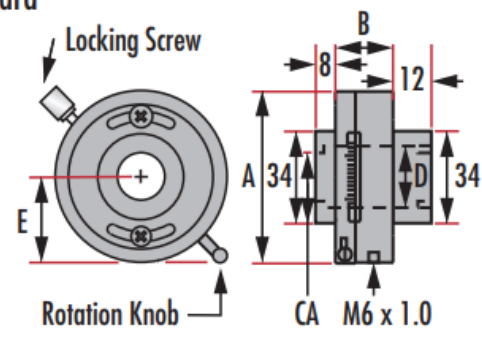
Polarizer Mounts

Standard

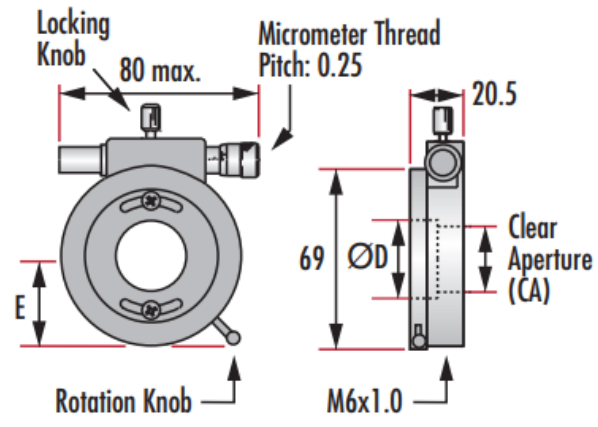


Glan-Thompson Mount

Standard



Micrometer Driven



Micrometer Driven

